



# RV AIR CONDITIONER

**SAFETY INFORMATION** .....3

**INSTALLATION INSTRUCTIONS**

Before You Begin.....4

Tools You will Need.....4

RGRMN\_ \_ Parts List .....5

RGREN\_ \_ Parts List .....6

RGRED\_ \_ Parts List .....7

RPREN\_ \_ Parts List.....8

RPRED\_ \_ Parts List.....9

Roof Requirements .....10

Roof Requirements and Prep.....12

Electrical Requirements .....12

Placing Unit on Roof .....12

Installing Unit .....14

Electrical Control Installation.....15

**USING THE AIR CONDITIONER**

Controls .....18

Air Direction.....19

Normal Operating Sounds .....19

**CARE AND CLEANING**

Indoor Panel ..... 20

Air Filter..... 20

Annual Maintenance..... 20

**TROUBLESHOOTING TIPS**..... 21

**SCHEMATIC DIAGRAMS** .....22

**LIMITED WARRANTY** .....23

**CONSUMER SUPPORT** ..... 24

## OWNER'S MANUAL

**Rooftop Units:**

**Standard Height**

- GRCS13XHH\_
- GRHS13XHH\_
- GRCS13XAH\_
- GRHS13XAH\_
- GRCS15XAH\_
- GRHS15XAH\_

**Low Profile**

- PLCS13XHH\_
- PLHS13XHH\_
- PLCS13XAH\_
- PLHS13XAH\_
- PLCS15XAH\_
- PLHS15XAH\_

**Indoor Assemblies:**

- RPRED\_ \_
- RPREN\_ \_
- RGRED\_ \_
- RGREN\_ \_
- RGRMN\_ \_

## ENGLISH

Write the model and serial numbers here:

Model # \_\_\_\_\_

Serial # \_\_\_\_\_

You can find them on a label on the air conditioner.

## THANK YOU FOR MAKING GE APPLIANCES A PART OF YOUR RV

---

Whether you grew up with GE Appliances, or this is your first, we're happy to have you in the family.

We take pride in the craftsmanship, innovation and design that goes into every GE Appliances product, and we think you will too. Among other things, registration of your appliance ensures that we can deliver important product information and warranty details when you need them.

Register your GE appliance now online. Helpful websites and phone numbers are available in the Consumer Support section of this Owner's Manual.



**GE APPLIANCES**

# IMPORTANT SAFETY INFORMATION

## READ ALL INSTRUCTIONS BEFORE USING THE APPLIANCE

### ▲WARNING

For your safety, the information in this manual must be followed to minimize the risk of fire, electric shock or personal injury.

- Use this appliance only for its intended purpose as described in this Owner's Manual.
- This air conditioner must be properly installed in accordance with the Installation Instructions before it is used.
- Replace immediately all electric service cords that have become frayed or otherwise damaged.
- Turn the unit OFF and disconnect all power to the vehicle before cleaning and servicing.
- To avoid risk of injury or property damage, the air conditioner should only be serviced by a qualified servicer who holds a current valid certificate from an industry-accredited assessment authority, which authorizes their competence to handle refrigerants safely in accordance with industry recognized assessment specifications.
- For your safety, do not store or use combustible materials, gasoline or other flammable vapors or liquids in the vicinity of this or any other appliance.
- All air conditioners contain refrigerants, which under federal law must be removed prior to product disposal. If you are getting rid of an old product with refrigerants, check with the company handling disposal about what to do.
- These R32 air conditioning systems require contractors and technicians to use tools, equipment, and safety standards approved for use with this refrigerant. DO NOT use equipment certified for other refrigerants only.
- This appliance is not intended for use by persons (including children) with reduced physical, sensory or mental capabilities, or lack of experience and knowledge, unless they have been given supervision or instruction concerning use of the appliance by a person responsible for their safety.

### ▲WARNING

Risk of Fire or Explosion. This unit contains flammable refrigerant. Additional safety precautions must be followed.

- Do not use means to accelerate the defrosting process or to clean, other than those recommended by the manufacturer.
- The appliance shall be stored in a room without continuously operating ignition sources (for example: open flames, an operating gas appliance or an operating electric heater)
- Do not pierce or burn refrigerant tubing. Be aware that refrigerants may not contain an odor.
- Keep ventilation openings clear of obstruction.
- When handling, installing, and operating the appliance, care should be taken to avoid damage to the refrigerant tubing.
- Do not drill holes in the unit.
- Maintenance, cleaning, and service should only be performed by technicians properly trained and qualified in the use of flammable refrigerants.
- GE Appliances does not support any servicing of sealed system components (i.e. refrigerant containing parts) in the air conditioner.
- Dispose of air conditioner in accordance with Federal and Local Regulations. Flammable refrigerants require special disposal procedures. Contact your local authorities for the environmentally safe disposal of your air conditioner.

For appliance recycling information, please visit [GEAppliances.com/recycling](http://GEAppliances.com/recycling)

## READ AND SAVE THESE INSTRUCTIONS

# General Knowledge

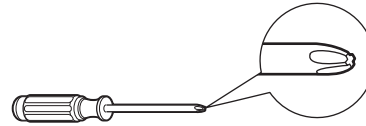
Questions? Call 1-877-540-7837 or Visit our Website at: [GEAppliances.com](http://GEAppliances.com)

## BEFORE YOU BEGIN

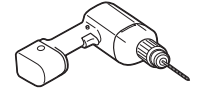
Read these instructions completely and carefully.

- Save these instructions for local inspector's use.
- Observe all governing codes and ordinances.
- **Note to Installer** – Be sure to leave these instructions with the Consumer.
- **Note to Consumer** – Keep these instructions for future reference.
- **Skill level** – Installation of this appliance requires a qualified RV technician.
- **Completion time** – Approximately 1 hour
- We recommend that two people install this product.
- Proper installation is the responsibility of the installer.
- Product failure due to improper installation is not covered under the Warranty.
- You **MUST** use all supplied parts and use proper installation procedures as described in these instructions when installing this air conditioner.

## TOOLS YOU WILL NEED



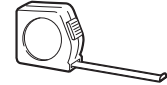
Phillips head screwdriver



Drill and 1/8" drill bit



Pencil



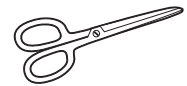
Ruler or tape measure



Level



Torque Wrench (0-60 in-lbs)



Scissors or knife

### ⚠ CAUTION

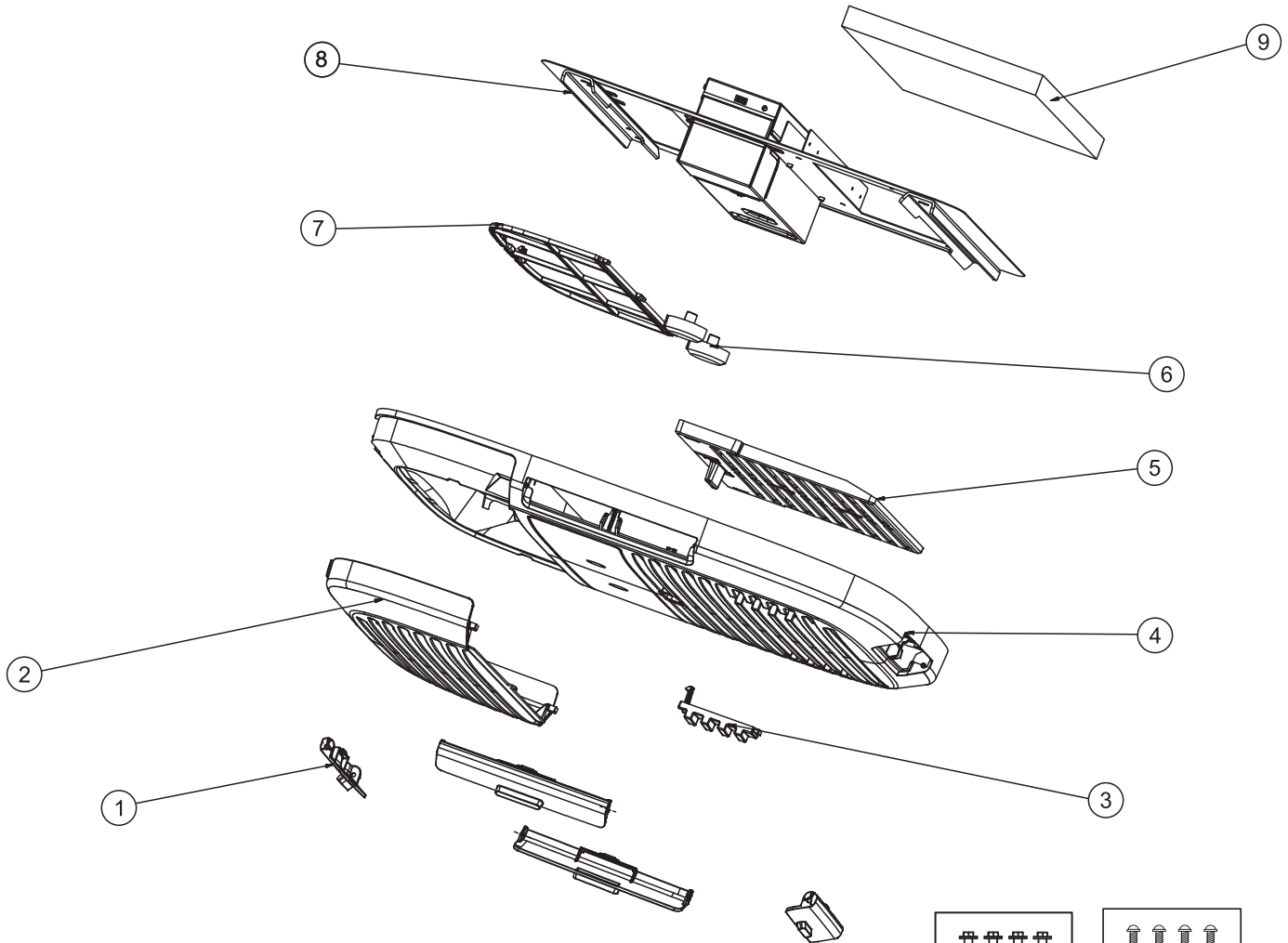
Be cautious of sharp edges as they may cause injury. When lifting the air conditioner, use 2 people to lift. Electrical wiring may be present between roof and ceiling. Be sure that power is disconnected at the mains and battery. Be sure that the gas supply is shut off. Failure to do so may result in injury or death.

		Indoor Assemblies				
		RPRED	RPREN	RGRED	RGREN	RGRMN
Elec. Control	RGREC1A	✓	✓	✓	✓	X
	RGREC2A	✓	✓	✓	✓	X
	RGREC3A	✓	✓	✓	✓	X
Tstat	RGRWT	✓	✓	✓	✓	X

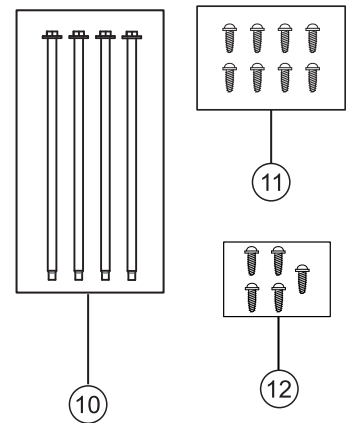
			Indoor Unit					Breaker Size	
			RPRED	RPREN	RGRED	RGREN	RGRMN	MCA	MOP
Outdoor Unit	Standard Height	GRCS13XHH_					✓	15A	20A
		GRHS13XHH_					X		
		GRCS13XAH_	✓	✓	✓	✓	✓	20A	
		GRHS13XAH_					X		
		GRCS15XAH_					✓		
		GRHS15XAH_					X		
	Low Profile	PLCS13XHH_					✓	15A	
		PLHS13XHH_					X		
		PLCS13XAH_	✓	✓	✓	✓	✓	20A	
		PLHS13XAH_					X		
		PLCS15XAH_					✓		
		PLHS15XAH_					X		

# Exploded View

RGRMN

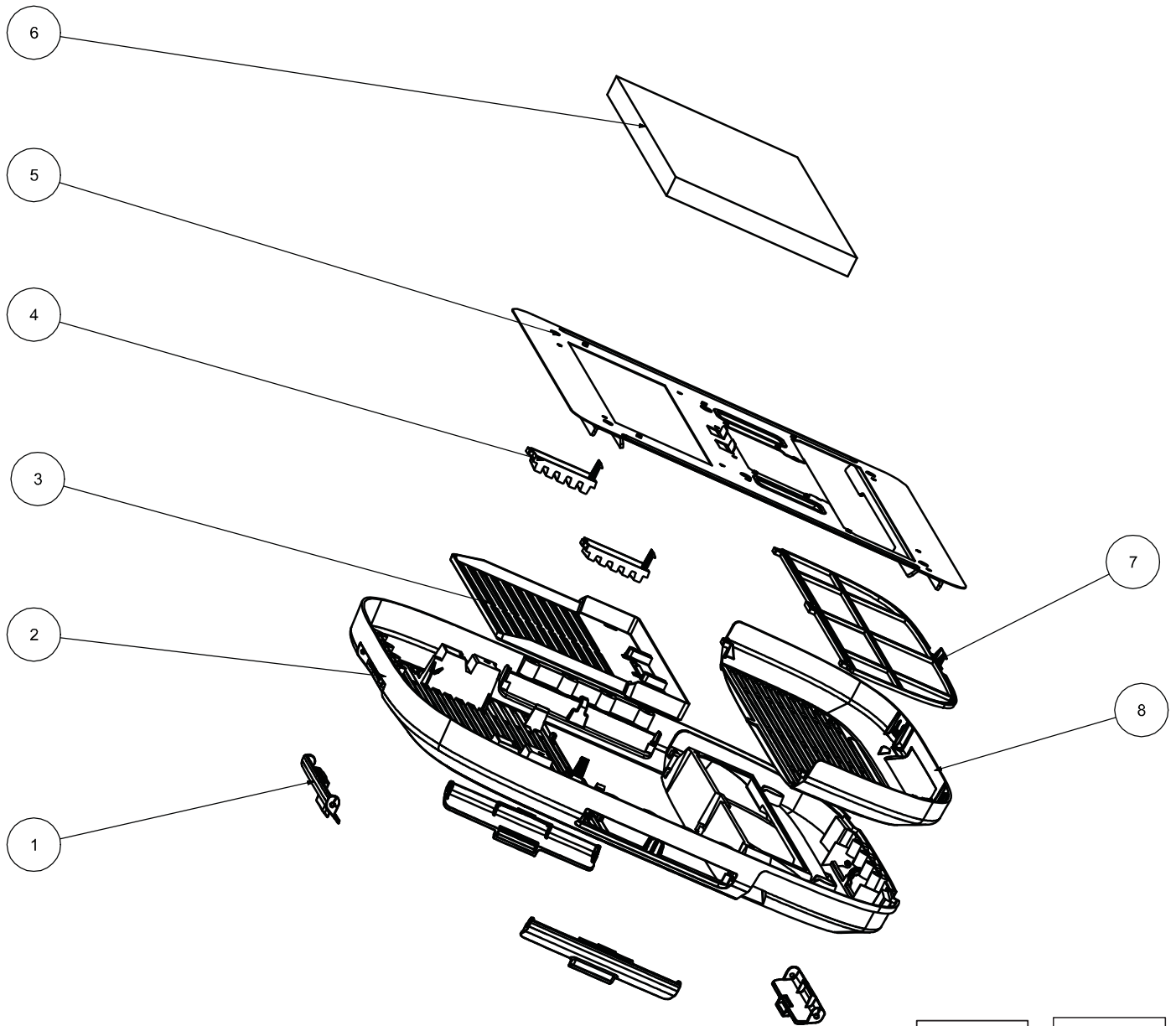


Number	Part Name	Quantity
1	Air Discharge Louver	4
2	Filter Cover	1
3	Screw Cover	2
4	Ceiling Panel	1
5	Direct Air Discharge Guide	1
6	Knob	2
7	Filter	1
8	Mounting Template	1
9	Air Division Baffle	1
10	M8 Mounting Bolts	4
11	Wood Screws	8
12	Sheet Metal Screws	5

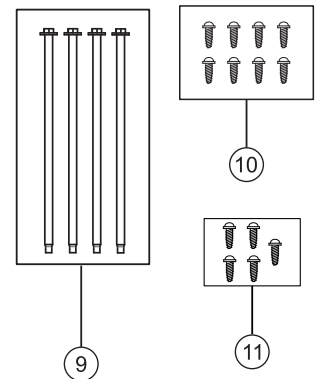


# Exploded View

RGREN

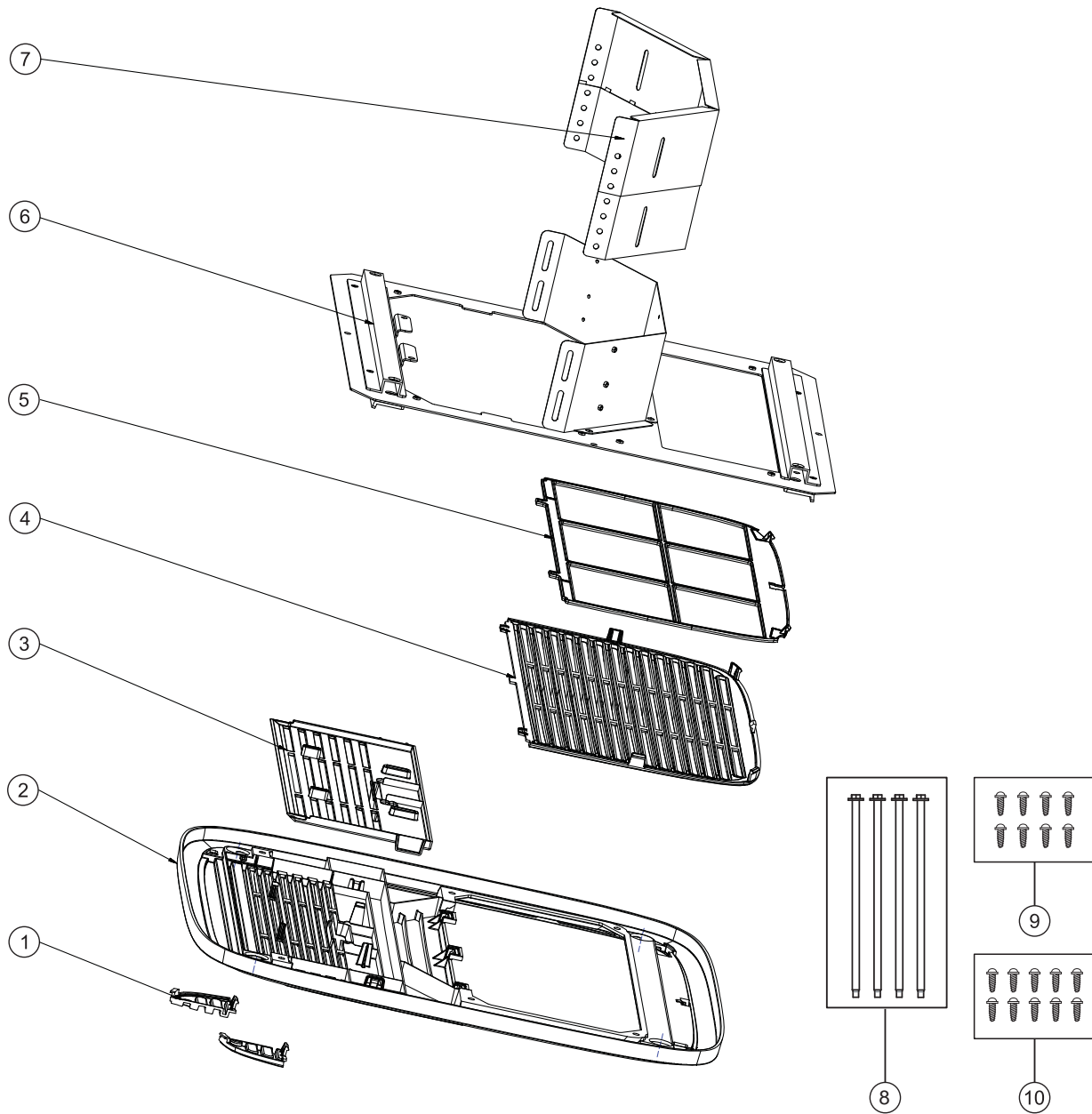


Number	Part Name	Quantity
1	Air Discharge Louver	4
2	Ceiling Panel	1
3	Filter Cover	1
4	Filter	1
5	Mounting Template	1
6	Air Division Baffle	1
7	Screw Covers	2
8	Direct Air Discharge Guide	1
9	M8 Mounting Bolts	4
10	Wood Screws	8
11	Sheet Metal Screws	5



# Exploded View

RGRED

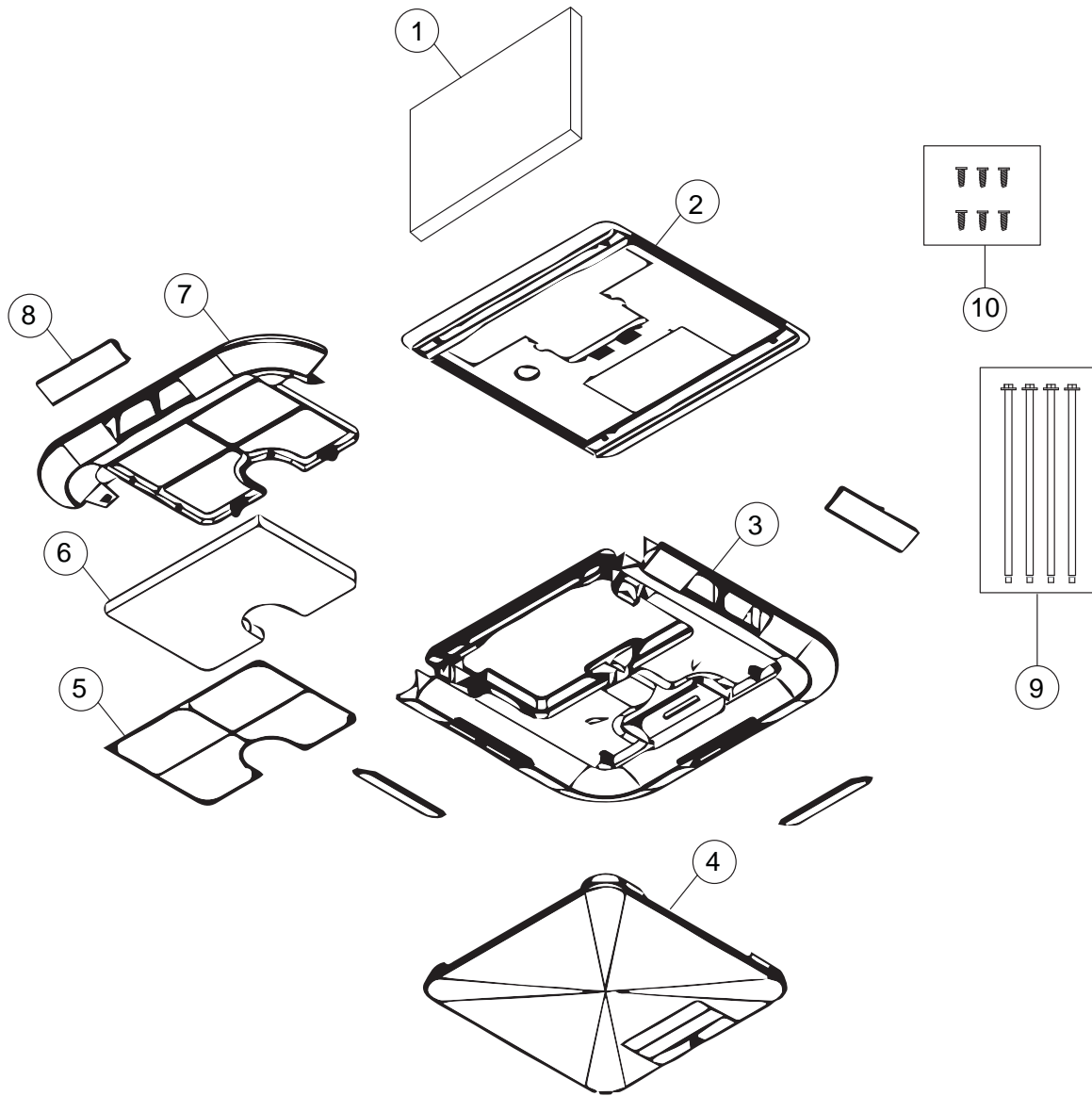


Number	Part Name	Quantity
1	Screw Covers	2
2	Ceiling Panel	1
3	Direct Air Discharge Guide	1
4	Filter Cover	1
5	Filter Retainer + Filter	1
6	Mounting Template	1
7	Air Division Baffle	1
8	M8 Mounting Bolts	4
9	Wood Screws	8
10	Sheet Metal Screws	9

# Exploded View

RPREN\_ - Electronic Non-Ducted

Check the contents of the accessories supplied with your air conditioner as shown below:



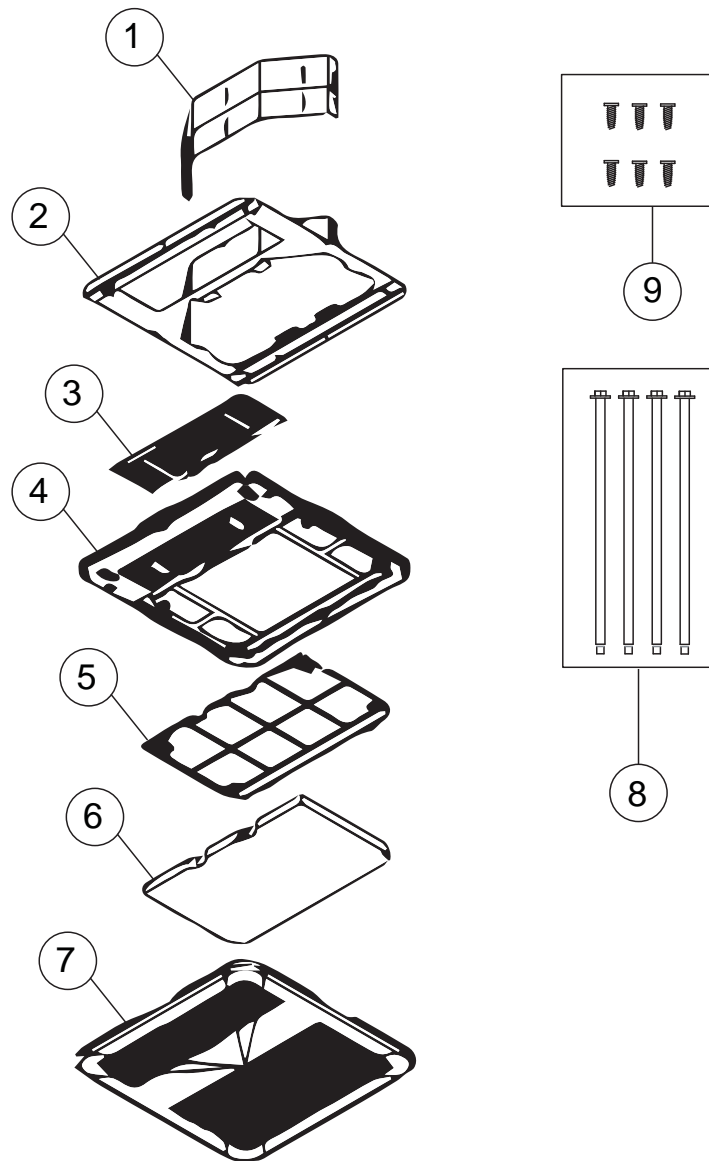
Number	Part Name	QTY.
1	Air Division Baffle	1
2	Mounting Template	1
3	Ceiling Panel Base	1
4	Ceiling Panel Cover	1
5	Filter Retainer	1
6	Filter	1
7	Filter Tray	1
8	Side Discharge Louver	4
9	M8 Mounting Bolts	4
10	Sheet Metal Screws	6



# Exploded View

## RPRED\_ - Electronic Ducted

Check the contents of the accessories supplied with your air conditioner as shown below:



Number	Part Name	QTY.
1	Air Division Baffle	1
2	Mounting Template	1
3	Direct Discharge Guide	1
4	Ceiling Panel Base	1
5	Filter Retainer	1
6	Filter	1
7	Ceiling Panel Cover	1
8	M8 Mounting Bolts	4
9	Sheet Metal Screws	9

# Installation Instructions

**⚠ WARNING ELECTRICAL SHOCK HAZARD**

Death or serious injury can result from failure to follow these instructions.

- Disconnect 115VAC and 12VDC power supply before beginning installation and/or servicing
- Ensure product is properly grounded according to the applicable codes
- Replace all parts and panels before operating

## A. ROOF REQUIREMENTS AND DETERMINING LOCATION FOR INSTALLATION

- Air conditioners covered in this manual are designed for installation on an RV's roof.
- Installation of this air conditioner must be in accordance with NFPA 1192 and NFPA 70.
- For proper installation, there must be a  $14\frac{3}{8}'' \times 1\frac{3}{8}'' (+/-\frac{1}{4}'')$  square opening in the roof and ceiling of the RV.
- There must be 2-6'' of space between the RV ceiling and the roof to accommodate our air division baffle.
- Air conditioners covered in this manual are designed to fit over preexisting roof vent openings.
- If a roof vent opening isn't available, use the following guidelines:

- Unit is to be installed centered side-to-side on the RV roof.
- Unit is to be installed on a section of roof which is level with respect to the RV roof if parked on a flat, level surface.
- Roof at the point of install can have a maximum tilt angle of  $15^\circ$  toward the front or rear of the RV.

**Figure 1: GE Appliances Outdoor Unit**

**Figure 2: GE Profile Outdoor Unit**

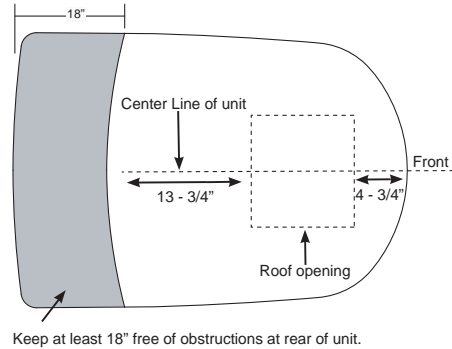
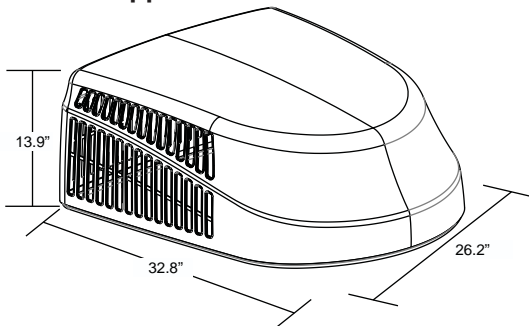
**Figure 3: GE Appliances Indoor Non-Ducted Unit (RGRMN)**

**Figure 4: GE Appliances Indoor Ducted Unit (RGRED)**

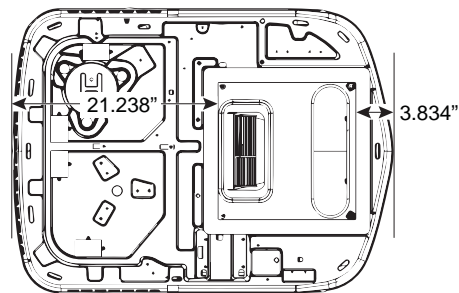
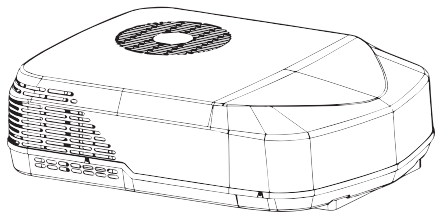
**Figure 5: GE Profile Indoor Non-Ducted Unit (RPREN)**

**Figure 6: GE Profile Indoor Ducted Unit (RPRED)**

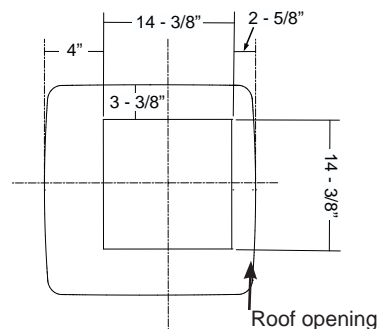
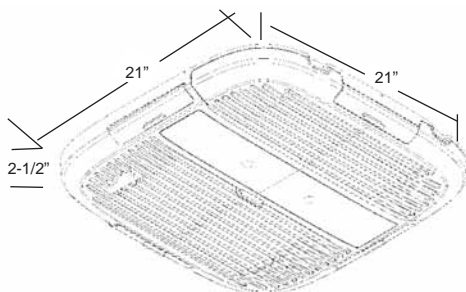
**Figure 1: GE Appliances Outdoor Unit:**



**Figure 2: GE Profile Outdoor Unit:**



**Figure 3: GE Appliances Indoor Non-Ducted Unit:**



# Installation Instructions

Figure 4: GE Appliances Indoor Ducted Unit:

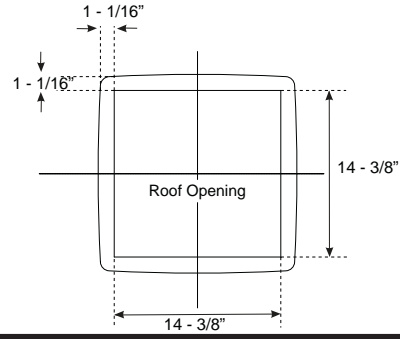
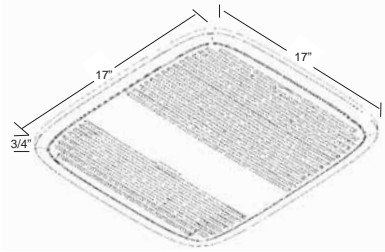


Figure 5: GE Profile Indoor Non-Ducted Unit:

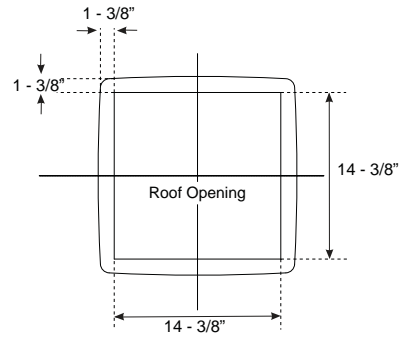
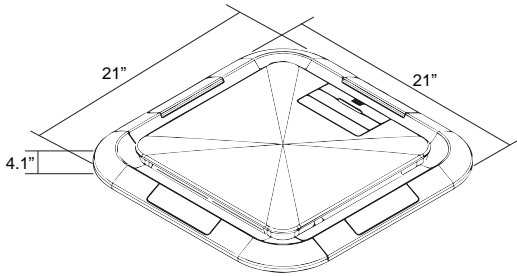
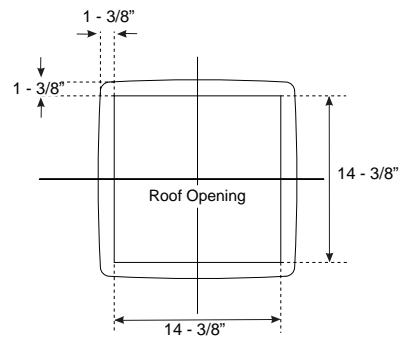
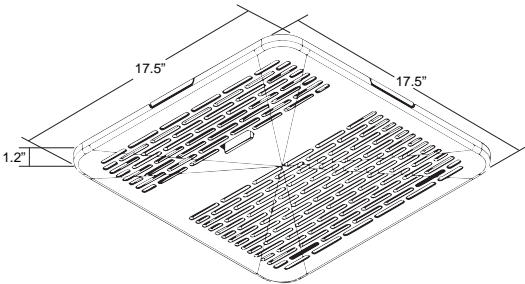


Figure 6: GE Profile Indoor Ducted Unit:



# Installation Instructions

## B. ROOF REQUIREMENTS AND PREPARATION

If a preexisting roof vent opening will be used:

1. Unscrew and remove roof vent from RV.
2. Seal all holes and seams with a weather resistant sealant.
3. Measure the width and length of the vent opening. If the opening doesn't comply with the requirements from section A, it must be resized.

If a preexisting opening will not be used, a new opening will be cut through both the roof and ceiling of the RV.

1. This opening **MUST** be between structural roof members.
2. Do **NOT** cut structural roof members to create opening for this air conditioner. Doing so may cause damage to RV and air conditioner.
3. Do **NOT** create a low spot on the RV roof. Water can pool and may leak through the opening.

The square opening must be boxed with framing at least 3/4" thick to withstand the load from the compression bolts.

Be sure to provide an access hole for RV wiring toward the front of the 14 3/8" x 14 3/8" opening.

Roof and RV structure at point of install must be strong enough to support air conditioner without any deflection. If in doubt, please contact your RV manufacturer. Deflection will allow water to pool at the air conditioner's gasket, and may cause a leak.

## C. ELECTRICAL REQUIREMENTS

These models require a 115V, 60-Hz protected with either a 15-amp or 20-amp time-delay fuse or circuit breaker (see table 1 on page 4).

Use a minimum of sheathed, 12 AWG copper wire with ground.

Be sure that 16" of supply wire is passed through the framing. This ensures enough wire is available for an easy connection in the junction box.

## D. PLACING UNIT ON ROOF

**▲ CAUTION** **LIFTING HAZARD.** Ensure proper lifting methods and controls are used when lifting unit to the RV roof. Failure to do so can result in injury.

1. Remove unit from packaging and dispose of packaging.
2. Do not slide the unit on its mounting gasket. Damage to gasket can cause a leak. Using two people, lift the unit and place it over the prepared opening. The front of the unit must face the RV's direction of travel. Damage to condenser fan and coil will occur if this instruction is not followed.

**▲ WARNING** It is important that these installation instructions are read and understood before installation and use.

Failure to securely install the unit to the RV before moving the RV may result in personal injury or death.

Do not operate the unit or recreational vehicle until the unit is fully secured on roof.

3. Bring the ceiling assembly with all provided mounting hardware into the RV. If you are using an indoor assembly, all work on the exterior of the RV is now complete.

### NOTE:

For the following indoor assembly installations, proceed to the corresponding section:

RGRMN: Section E1, page 14

RGREN: Section E1, page 14

RPREN: Section E1, page 14

RGRED: Section F, page 16

RPRED: Section F, page 16

# Installation Instructions

## TOP-DOWN MOUNTING

1. Tilt your unit up and position your baffle such that it separates inlet and outlet airflow without interfering with the ductwork in your roof opening. Then, set your unit back down, maintaining the positioning referenced in Section A.
2. Remove the outdoor shroud by unscrewing the 4 screws around the perimeter of the unit and place it off to the side.
3. Remove the EPP Evaporator cover and store it with the shroud cover. Pull the 115VAC and the 12VDC power supply cords as well as the thermostat wiring from the RV roof opening through the oval air inlet opening at the front of the air conditioner's base-pan.
4. Identify the indented areas in the lower piece of the evaporator EPP Cover. These 4 locations are where you will drive your lag bolts to secure the air conditioner to the RV's roof.
5. If you are mounting into a wooden frame, use lag bolts rated for wood and torque to 35+/- 5 in-lbs. If you are mounting into an aluminum frame, use lag bolts rated for metal and torque to 35 +/- 5 in-lbs.
6. See the Control Use & Care Manual for connecting power, thermistors, and a thermostat to your control.
7. With your control securely closed and fastened, slide it into the mounting bracket at the front of the unit. The tabs that protrude from the side of the control should slide into the bracket's cavity.
8. Use 2 of the sheet metal screw provided with your control to secure it to the bracket via the protruding tabs.
9. Reinstall the EPP Evaporator cover, ensuring proper alignment to the EPP base. Failure to do this will result in decreased performance from the air conditioner.
10. Reinstall the outdoor shroud by driving the 4 screws removed in step 2.
11. You have successfully installed your unit

# Installation Instructions

## E1. NON-DUCTED INSTALLATION (RGRMN, RGREN, & RPREN)

1. From inside the RV, double check the gasket's position and alignment above the roof opening. Adjust if necessary. The air conditioner can be moved and adjusted by pushing upwards from inside the RV.
2. Reach through the base pan and pull the electrical power cord from the air conditioner through the ceiling opening.
3. Measure ceiling to roof thickness.
4. Cut rows from the bottom of the foam baffle according to the table below:

Ceiling to roof thickness (in)		Rows to cut
Minimum	Maximum	
2	2.5	10
2.5	3	8
3.5	4	6
4.5	5	4
5	5.5	2
5.5	6	0

**Best Practice:**

Cut away one row at a time and check installation position of baffle. With the top foam compressed onto the air conditioner's base pan, the bottom of the baffle should be flush to the ceiling opening.

5. Place foam baffle into position between 2 retainer plates.
6. Push the mounting template into the roof opening, and begin hand-threading each of the 4 mounting bolts through the nuts in the base pan.
7. Tighten the 4 bolts evenly to  $35 \pm 5$  inch pounds using a torque wrench at least rated for 0-60 in-lbs. Even compression is required to prevent leaks through the gasket.

**STOP!**

For RGRMN go to section E2 – Mechanical Non-Ducted Wiring

For RGREN & RPREN go to section E3 – Electronic Non-Ducted Wiring

## E1. NON-DUCTED INSTALLATION (RGRMN, RGREN, & RPREN) (cont.)

8. Secure the ceiling panel to the mounting template via 2 sheet metal screws per the 2 holes in the filter cavity. The filter must be removed to install the screws.
9. Applying pressure to the center of the ceiling panel, drive two wood screws in the holes under the louver located closest to the direct discharge guide. The side discharge ports should be removed to allow access to the mounting holes.
10. Drive the remaining 6 wood screws located under the side discharge ports. Access the mounting holes via the method in the previous step.
11. Reinstall the filter.
12. Installation is complete. Refer to "Controls" on page 17 Before attempting to operate the air conditioner.

## E2. MECHANICAL NON-DUCTED INSTALLATION (RGRMN\_ \_)

1. Remove the 4 and 3-pin connector cover from the ceiling assembly by removing 2 screws.
2. Plug the cord with the 3 and 4-pin connector into the respective receptacles on the mounting template.
3. Reinstall the 3 and 4-pin connector cover, routing the cord through the U-shaped opening, taking care not to pinch the wires.
4. Uninstall the junction box cover by removing 2 screws.
5. Route the 115 VAC power supply cord through the 2-screw strain relief of the ceiling assembly. Then, tighten the strain relief, taking care not to damage the wires.
6. Using wire connectors rated for your wire gauge, connect line to black, neutral to white, and ground to green.
7. Using electrical tape, secure the connectors to prevent any potential movement due to vehicle vibration. If wire nuts are used, be sure to apply the tape in the direction the nut was tightened so as to not unintentionally loosen the connection.
8. Position the power supply wires and connections inside the junction box and reinstall the junction box cover.
9. Align the plastic ceiling panel to the mounting template using the control knob posts as guides.
10. Install the 2 control knobs, ensuring the D-shaped contour is properly aligned on the posts.
11. Proceed to step 8 of Section E1.

## E3. ELECTRONIC NON-DUCTED INSTALLATION (RGREN\_ \_ & RPREN\_ \_)

1. Uninstall the blanking plate from the mounting template by removing 3 screws
2. Mount the main control box (RGREC\_A) to the mounting template using 2 screws.
3. Remove 3 screws from the base of the main control box, allowing the base to hinge open. The control board is now visible and accessible.
4. Route the 115 VAC power supply cord through the strain relief of the control box. Then, tighten the strain relief, taking care not to damage the wires.
5. Using wire connectors rated for your wire gauge, connect line to blue, neutral to white, and ground to green/yellow.
6. Using electrical tape, secure the connectors to prevent any potential movement due to vehicle vibration. If wire nuts are used, be sure to apply the tape in the direction the nut was tightened so as to not unintentionally loosen the connection.

## E3. ELECTRONIC NON-DUCTED INSTALLATION (RGREN\_ \_ & RPREN\_ \_) (cont.)

7. Route the 3 and 4-pin connectors from the outdoor unit through the U-shaped opening on the control box. Mate these connectors to their corresponding plugs on the control board.
8. Connect the 12VDC power supply wire and ground wire coming from your RV to the removable 2 pin connector terminals labeled "12V" and "GND" respectively. See the control Use and Care manual for connecting your specific control to your wall thermostat.
9. Your unit will come with 2 thermistors pre-installed in your air conditioning unit that need to be connected to the main control board. The indoor coil freeze sensor is a 2-pin connector that needs to be plugged into the T2 terminal on the control board and the indoor air outlet temperature sensor is a 3-pin connector that needs to be plugged into the T3 connector on the main control board. Heat pump models also have a 4-pin connector that contains an outdoor coil thermistor and outdoor ambient temperature thermistor—this needs to be connected to the T4/T5 terminal on the main control board. Failure to make the specified connections will result in fault codes and can result in lack of function of your unit.
10. If you are using the RGRES1A room sensor with your air conditioning unit, you will need to connect the sensor to the main control board via the removable 2-pin terminal labeled "LS".
11. **OPTIONAL:** If you want your air conditioning unit to be connected to your RV's load shed system (Not included with all RVs), you will need to connect your load shed system to the main control board. If you are using an RGREC1A control, connect the load shed system via the removable 2-pin connector labeled "LS". If you are using an RGREC2A control, connect the load shed system via the terminal on the detachable 8-pin connector labeled "LS".
12. **OPTIONAL:** If you have a furnace you would like to control via your thermostat, connect your furnace to the two terminals labeled "FUR" on the removable 4-pin connector. Refer to your furnace's owner's manual..
13. **OPTIONAL:** All controls have the option for auto generator start functionality. If you want to enable this function, connect your generator to the two terminals labeled "GEN" on the removable 4-pin connector.
14. Keeping all connections inside the control box, route the wires through the U-shaped opening on the side. Then, taking care not to pinch/crush any wires, rotate the base of the main control box upward and reinstall the 3 screws removed in Step 3 to seal the control box.

# Installation Instructions

## E3. ELECTRONIC NON-DUCTED INSTALLATION (RGREN\_\_ & RPREN\_\_) (cont.)

15. Install the cover plate via 3 screws that attach to the mounting template and 2 screws that that attach to the main control box.
16. For RGREN, proceed to step 8 of Section E1. For RPREN proceed to step 16 of Section E3
17. Secure the ceiling panel base to the mounting template using 4 sheet metal screws
18. Install your filter and filter retainer into the filter tray.
19. Aligning the filter tray with the corresponding grooves in the ceiling panel base, slide the filter tray into position
20. Using the four embossed guide features on the ceiling panel base, install the ceiling panel cover
21. Installation is complete. Refer to thermostat operating instructions before attempting to operate.

## F. ELECTRONIC DUCTED (RGRED & RPRED) INSTALLATION

1. From inside the RV, double check the gasket's position and alignment above the roof opening. Adjust if necessary. The air conditioner can be moved and adjusted by pushing upwards from inside the RV.
2. Reach through the base pan and pull the electrical power cord from the air conditioner through the ceiling opening.
3. Push the ceiling mounting template into the roof opening and begin hand-threading each of the 4 mounting bolts through the nuts in the base pan.
4. Tighten the 4 bolts evenly to  $35 \pm 5$  inch pounds using a torque wrench at least rated for 0-60 in-lbs. Even compression is required to prevent leaks through the gasket.
5. Place dividing baffle into position on the ceiling assembly. Ensure baffle is pressed against the base pan, forming an airtight seal.
6. Mount the dividing baffle to the mounting template using three screws.

## F. ELECTRONIC DUCTED (RGREN & RPRED) INSTALLATION (cont.)

7. Mount the dividing baffle to the framing timber using two screws on each side, creating an airtight seal. For additional sealing, use aluminum tape to seal any potential leaks between the framing timber and the baffle.
8. Mount the Main Control Box (RGREC\_\_ ) to the mounting template using four screws.
9. Remove three screws from main control box, allowing the bottom section to hinge open. Control board is now visible and accessible.
10. Route the 115 VAC power cord through the strain relief of the control box. Tighten the strain relief, making sure not to damage the wires.
11. Using wire connectors rated for your wire gauge, connect line to blue, neutral to white, and ground to green/yellow.
12. Using electrical tape, secure the connectors to prevent any potential movement due to vehicle vibration.
13. Route the 3 and 4-pin connectors from the outdoor unit through the U-shaped opening on the control box. Mate these connectors to their corresponding plugs on the control board.
14. Connect the 12VDC power supply wire and ground wire coming from your RV to the removable 2 pin connector terminals labeled "12V" and "GND" respectively. See the control Use and Care manual for connecting your specific control to your wall thermostat.
15. Your unit will come with 2 thermistors pre-installed in your air conditioning unit that need to be connected to the main control board. The indoor coil freeze sensor is a 2-pin connector that needs to be plugged into the T2 terminal on the control board and the indoor air outlet temperature sensor is a 3-pin connector that needs to be plugged into the T3 connector on the main control board. Heat pump models also have a 4-pin connector that contains an outdoor coil temperature and outdoor ambient temperature thermistor—this needs to be connected to the T4/T5 terminal on the main control board. Failure to make the specified connections will result in fault codes and can result in lack of function of your unit.

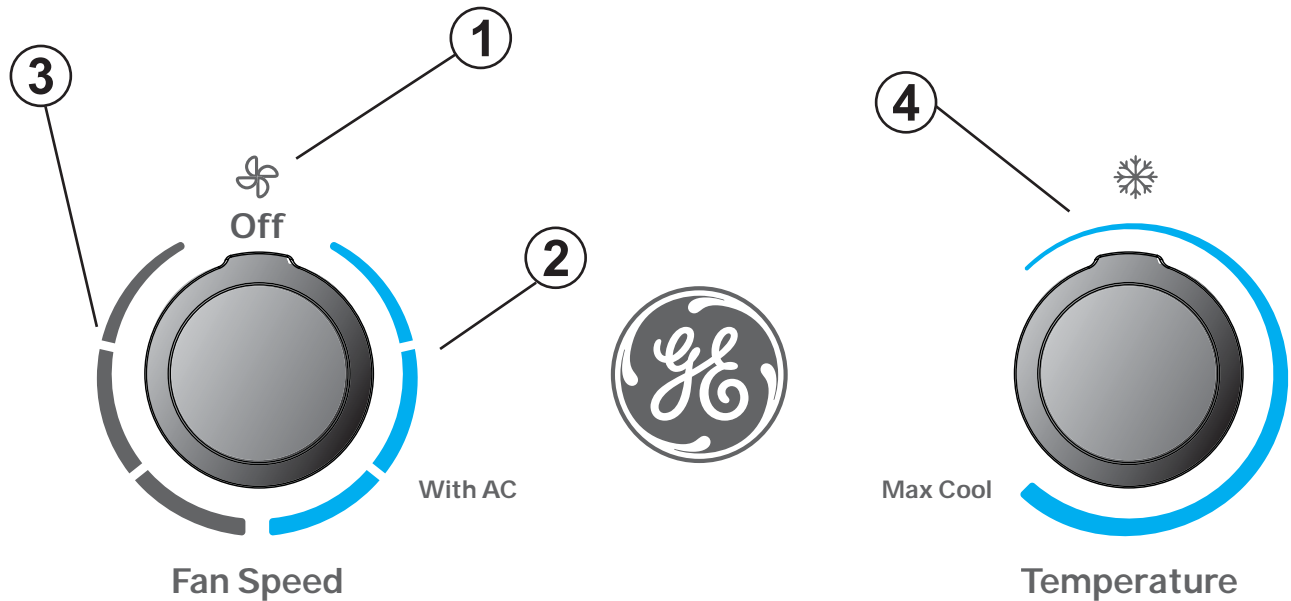


## F. ELECTRONIC DUCTED (RGRED & RPRED) INSTALLATION (cont.)

16. If you are using the RGRES1A room sensor with your air conditioning unit, you will need to connect the sensor to the main control board via the removable 2-pin terminal labeled "LS".
17. **OPTIONAL:** If you want your air conditioning unit to be connected to your RV's load shed system (Not included with all RVs), you will need to connect your load shed system to the main control board. If you are using an RGREC1A control, connect the load shed system via the removable 2-pin connector labeled "LS". If you are using an RGREC2A control, connect the load shed system via the terminal on the detachable 8-pin connector labeled "LS".
18. **OPTIONAL:** If you have a furnace you would like to control via your thermostat, connect your furnace to the two terminals labeled "FUR" on the removable 4-pin connector. Refer to your furnace's owner's manual.
19. Keeping all connections inside the control box, route the wires through the U-shaped opening on the side. Then, taking care not to pinch/crush any wires, rotate the base of the main control box upward and reinstall the 3 screws removed in Step 9 to seal the control box.
20. For RGRED, align the plastic ceiling panel to the mounting template. For RPRED, align the ceiling panel base to the mounting template.
21. Using the provided 6 sheet metal screws, secure the ceiling panel or ceiling panel base to the mounting template. The filter and filter cover must be removed to install these screws.
22. For RGRED, install the filter and filter cover by depressing the single tab at the middle of the filter cover and snap it into the filter cavity. Next install the left and right screw cover by inserting them into their respective cavities.
23. For RPRED, install the filter retainer with the filter into the ceiling panel base by sliding it under two tabs on the ceiling panel base and then rotating downwards. Then align the ceiling panel cover via the slide knob and push upward in the direction of the ceiling to snap the ceiling panel cover into place.
24. Installation is complete. Refer to thermostat operating instructions before attempting to operate.
25. **OPTIONAL:** All controls have the option for auto generator start functionality. If you want to enable this function, connect your generator the two terminals labeled "GEN" on the removable 4-pin connector.

# Controls

Features and appearance will vary.



## Air Conditioner Controls

### Controls

#### 1. Power Off

The air conditioner is off in this position.

#### 2. Air Conditioning Modes

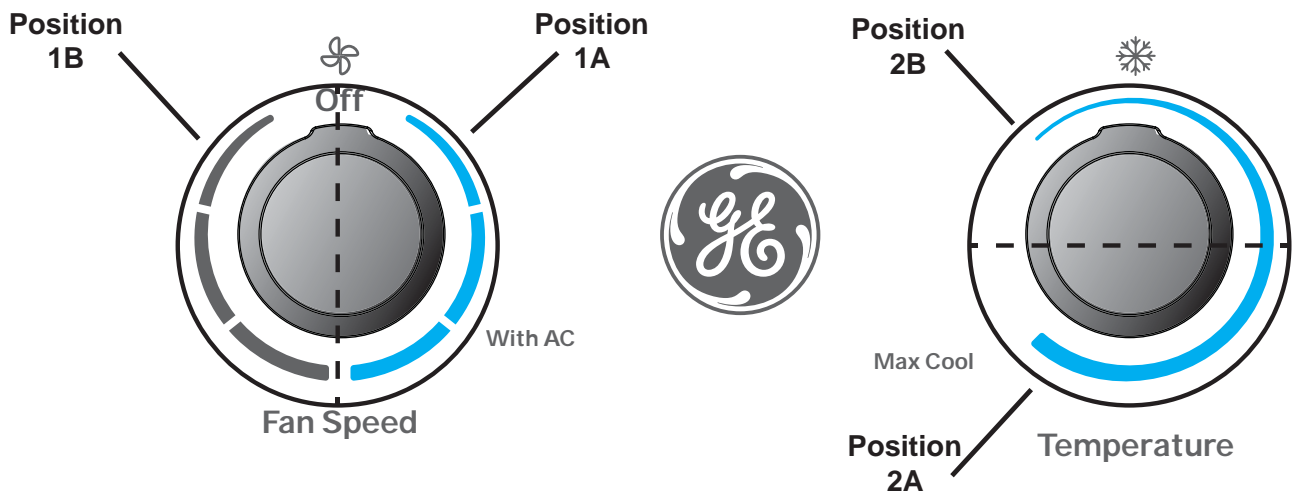
In these positions, the compressor and fans will run to provide cold air. The three modes correspond to low, medium, and high fan speeds.

#### 3. Fan Only Modes

In these modes, the fans will run to circulate air in the RV. The three modes correspond to low, medium, and high fan speeds.

#### 4. Temperature Selection

This knob determines the room set point temperature. Turn this knob to increase or decrease how cold the air conditioner will make the room.



### CAUTION

To prevent circuit breaker from tripping, wait a minimum of 3 minutes between turning the compressor off and then back on (i.e. wait 3 minutes before moving the dial from position 1A to 1B back to 1A or moving from position 2A to 2B back to 2A (pictured above))

# Using the Air Conditioner

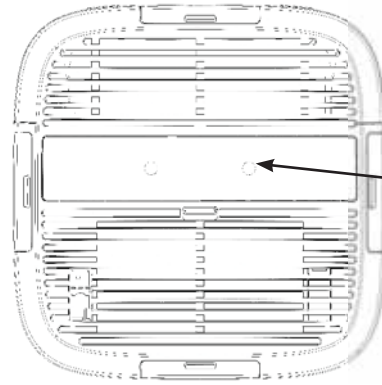
**IMPORTANT:**

- When you turn off the air conditioner, wait at least 3 minutes before turning it back on. This prevents the compressor from overloading. This 3 minute delay also applies when switching from cool mode to fan and back.
- Do not operate your air conditioner in the Cool mode when the outside temperature is below 60°F (15° C). The inside evaporator coil may freeze up, and the air conditioner will not operate properly.

**Air Direction**

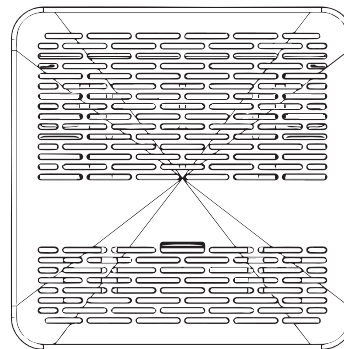
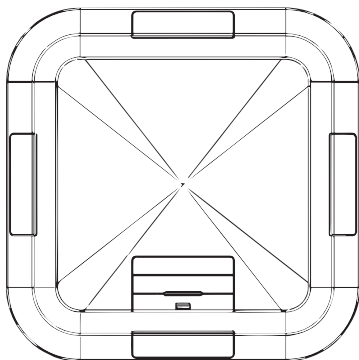
Use the lever to open or close vent on face of control panel.

Open or close 4 side ports to adjust airflow from the air conditioner.



Lever is located between the two knobs

Front View



## Normal Operating Sounds

When your air conditioner is operating normally, you may hear sounds such as:

- Droplets of water hitting the condenser, causing a pinging or clicking sound. The water droplets help cool the condenser.
- Air movement from the fan.
- Clicks from the control cycling
- A hum or pulsating noise caused by the compressor cycling on and off.

## Care and Cleaning

### Indoor Panel

Turn the air conditioner off and disconnect power from the air conditioner before cleaning.

To clean, use water and a mild detergent. Do not use bleach or abrasives.

### Air Filter

The air filter should be checked every 2 weeks and cleaned if necessary.

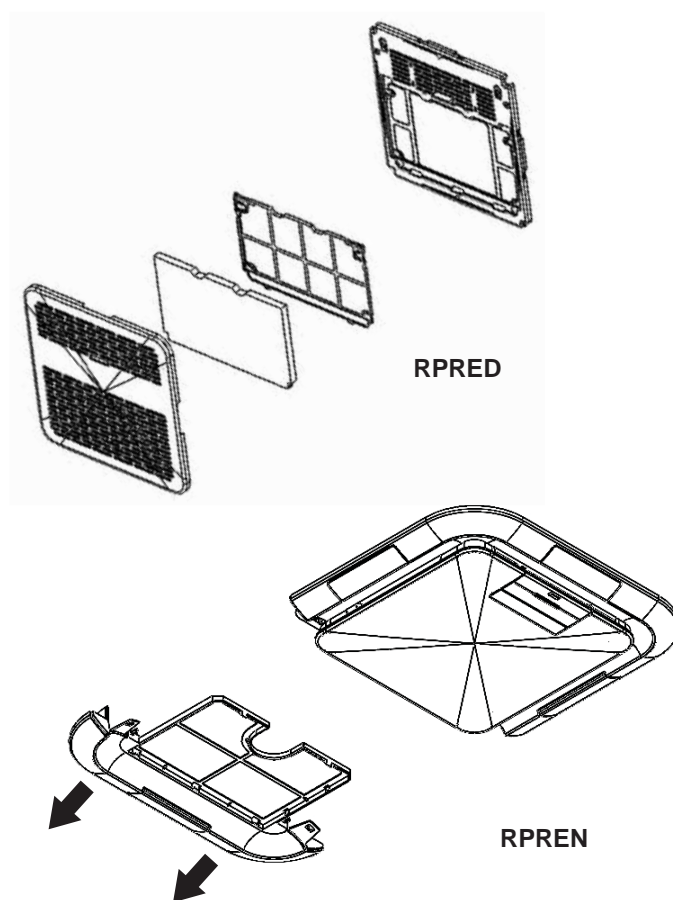
**DO NOT** operate the air conditioner without a filter because dirt and lint will clog it and reduce performance.

#### Cleaning the Air Filter

1. Turn off the air conditioner.
2. Remove the air filter cover per the following figures to gain access to the filter.
3. Use a vacuum cleaner to clean air filter. If the air filter is very dirty, wash it in warm water with a mild detergent. Do not wash the air filter in the dishwasher or use any chemical cleaners. Air dry the air filter completely before replacing to ensure maximum efficiency.
4. Reassemble the air filter to the grill.
5. Carefully reassemble the grill and filter assembly to the main panel.
6. Turn on the air conditioner.

**NOTE:** RPREN and RPRED assemblies use a merv 6 filter which should be periodically checked and maintained to be debris free.

Push both tabs toward the GE logo to release the cover.



### Annual Maintenance

Your air conditioner needs annual maintenance to help ensure steady, top performance throughout the year.

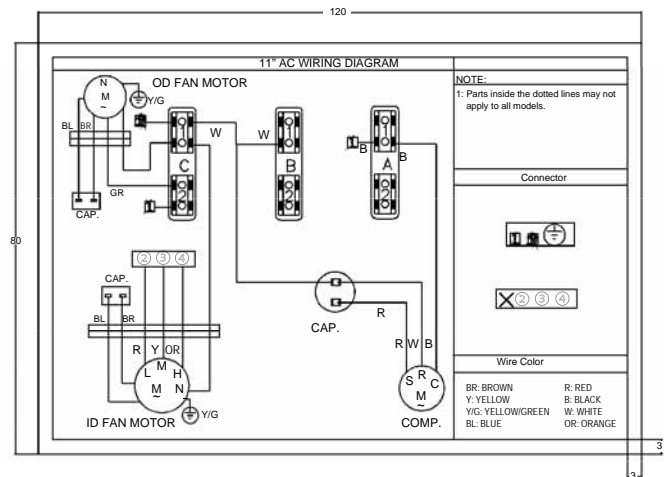
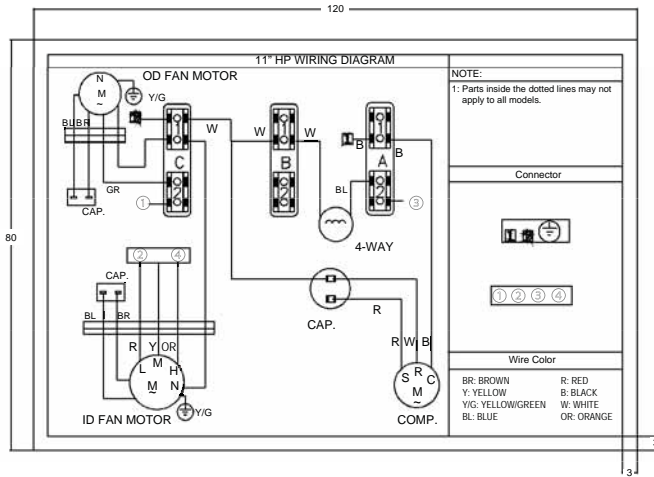
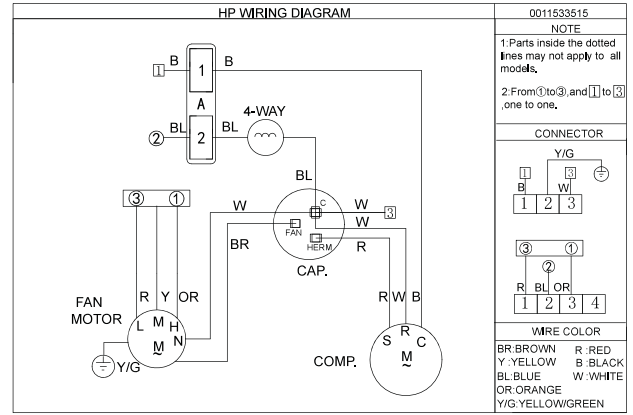
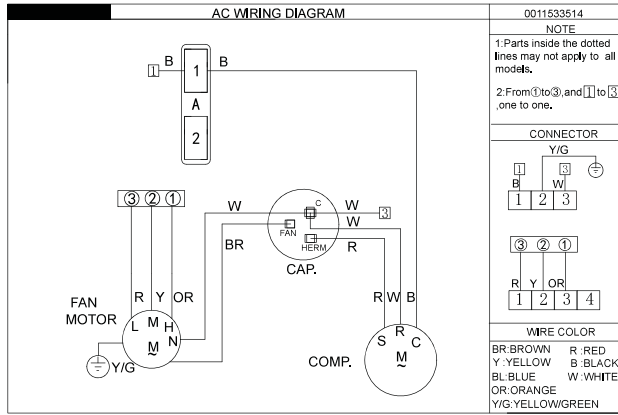
Call your local authorized dealer to schedule an annual checkup. The expense of an annual inspection is your responsibility.

# Troubleshooting Tips... Before you call for service

Save time and money! Review the charts on the following pages first and you may not need to call for service.

Problem	Possible Cause	What To Do
Air Conditioner does not operate	An RV fuse has blown, or circuit breaker has tripped.	Replace the fuse or reset the circuit breaker. If the problem continues, call an electrician. See "Electrical Requirements."
	The mode setting is in the OFF position.	Press POWER or turn the Mode control to an active setting.
	The local power has failed.	Wait for power to be restored.
Air conditioner blows fuses or trips circuit breakers	Too many appliances are being used on the same circuit.	Unplug or relocate appliances that share the same circuit.
	Time-delay fuse or circuit breaker of the wrong capacity is being used.	Replace with a time-delay fuse or circuit breaker of the correct capacity. See "Electrical Requirements."
	You are trying to restart the air conditioner too soon after turning off the air conditioner.	Wait at least 3 minutes after turning off the air conditioner before trying to restart the air conditioner.
Air conditioner seems to run too much	The air conditioner is in a heavily occupied room, or heat-producing appliances are in use in the room.	Use exhaust vent fans while cooking or bathing and try not to use heat producing appliances during the hottest part of the day. A higher capacity air conditioner may be required depending on the size of the room being cooled.
Air conditioner cycles on and off too much or does not cool room in cooling mode	The air conditioner is not properly sized for your RV.	Check the cooling capabilities of your RV air conditioner.
	The filter is dirty or obstructed by debris.	Clean or replace the filter.
	There is excessive heat or moisture (open container cooking, showers, etc.) in the room.	Use a fan to exhaust heat or moisture from the room. Try not to use heat-producing appliances during the hottest part of the day.
	The louvers or ducts are closed.	Make sure louvers are open.
	The outside temperature is below 60°F (15°C).	Do not try to operate your air conditioner in the cooling mode when the outside temperature is below 60°F (15°C).
	The temperature of the room you are trying to cool is extremely hot.	Allow extra time for the air conditioner to cool off a very hot room.
	Windows or doors to the outside are open.	Close all windows and doors.
	The Temperature control is not at a cool enough setting.	Adjust the TEMP control to a cooler setting by pressing the minus button to reduce the temperature. Set the Fan Speed control to the highest setting.
Wall thermostat improperly installed	Verify proper installation of Wall Thermostat per installation instructions (pg. 5 ...not on exterior wall or in direct sunlight... ..in an area affected by a vent or duct...)	
Water drips from cabinet into your house	The indoor coil may be frozen.	De-ice by running the fan only until clear.
	The air conditioner's mounting gasket may not be sealed against the roof.	Check mounting bolts and tighten to 35 ± 5 in-lbs if necessary.
AC blows fuses or trips circuit breaker	The condenser coil or condenser fan is blocked or obstructed	Remove any obstructing material or debris from the condenser coil or the condenser fan

# Schematic Diagrams



# GE Appliances Air Conditioner Limited Warranty

**LIMITED WARRANTY**

All warranty service must be provided by certified RV Service Centers.

To schedule service call 1-877-540-7837

Have serial number and model number available when calling for service.

For The Period Of:	GE Appliances Will Replace:
<b>Two Years</b> From the date of the original purchase	<b>Any part</b> of the air conditioner which fails due to a defect in materials or workmanship. During this <b>limited two-year warranty</b> , GE Appliances will also cover all labor and related service to replace the defective part.

## What GE Appliances Will Not Cover:

- **Improper installation, delivery or maintenance.**  
If you have an installation problem, or if the air conditioner is of improper cooling capacity for the intended use, contact your dealer or installer. You are responsible for providing adequate electrical connecting facilities.
- **Failure of the product resulting from modifications to the product or due to unreasonable use including failure to provide reasonable and necessary maintenance.**
- **Labor necessary to move the unit to a location** where it is accessible for service by an individual technician.
- **Replacement of house fuses or resetting of circuit breakers.**
- **Damage to the product caused by improper power supply voltage, accident, fire, floods or acts of God.**
- **Incidental or consequential damage caused by possible defects with this air conditioner.**
- **Damage caused after delivery.**

**EXCLUSION OF IMPLIED WARRANTIES—Your sole and exclusive remedy is product repair as provided in this Limited Warranty. Any implied warranties, including the implied warranties of merchantability or fitness for a particular purpose, are limited to two years or the shortest period allowed by law.**

This limited warranty is extended to the original purchaser and any succeeding owner for products purchased for RV use within the USA and Canada. If the product is located in an area where service by an authorized RV servicer is not available, you may be required to bring the product to an authorized service location for service. Authorized GE Service location for service.

Some states do not allow the exclusion or limitation of incidental or consequential damages. This limited warranty gives you specific legal rights, and you may also have other rights which vary from state to state. To know what your legal rights are, consult your local or state consumer affairs office or your state's Attorney General.

**Warrantor: GE Appliances, a Haier company**  
**Louisville, KY 40225**

Staple your receipt here. Proof of the original purchase date is needed to obtain service under the warranty.

# Consumer Support

---

## GE Appliances Website

Have a question or need assistance with your appliance? Try the GE Appliances Website 24 hours a day, any day of the year! You can also shop for more great GE Appliances products and take advantage of all our on-line support services designed for your convenience. In the US: [GEAppliances.com](http://GEAppliances.com)

---

## Register Your Appliance

Register your new appliance on-line at your convenience! Timely product registration will allow for enhanced communication and prompt service under the terms of your warranty, should the need arise. You may also mail in the pre-printed registration card included in the packing material. In the US: [GEAppliances.com/register](http://GEAppliances.com/register)

---

## Schedule Service

Call 1-877-540-7837 during normal business hours.

---

## Extended Warranties

Purchase a GE Appliances extended warranty and learn about special discounts that are available while your warranty is still in effect. You can purchase it on-line anytime. GE Appliances Services will still be there after your warranty expires. In the US: [GEAppliances.com/extended-warranty](http://GEAppliances.com/extended-warranty) or call 800.626.2224 during normal business hours.

---

## Remote Connectivity

For assistance with wireless network connectivity (for models with remote enable), visit our website at [GEAppliances.com/connected-home-smart-appliances](http://GEAppliances.com/connected-home-smart-appliances) or call 800.220.6899 in the US.

---

## Parts and Accessories

Individuals qualified to service their own appliances can have parts or accessories sent directly to their homes (VISA, MasterCard and Discover cards are accepted). Order on-line today 24 hours every day. In the US: [GEApplianceparts.com](http://GEApplianceparts.com) or by phone at 877.959.8688 during normal business hours.

**Instructions contained in this manual cover procedures to be performed by any user. Other servicing generally should be referred to qualified service personnel. Caution must be exercised, since improper servicing may cause unsafe operation.**

---

## Contact Us

If you are not satisfied with the service you receive from GE Appliances, contact us on our Website with all the details including your phone number, or write to:

General Manager, Customer Relations | GE Appliances, Appliance Park | Louisville, KY 40225  
[GEAppliances.com/contact](http://GEAppliances.com/contact)





# CLIMATISEUR individuel

## INFORMATION DE SÉCURITÉ...3

## INSTRUCTIONS D'INSTALLATION

Avant de commencer .....4  
 Outils dont vous pouvez avoir besoin... 4  
 RGRMN\_ \_ Pièces incluses .....5  
 RGREN\_ \_ Pièces incluses .....6  
 RGRED\_ \_ Pièces incluses.....7  
 RPREN\_ \_ Pièces incluses.....8  
 RPRED\_ \_ Pièces incluses.....9  
 Exigences et détermination de  
 l'emplacement d'installation sur le toit ..10  
 Exigences et préparation du toit.....12  
 Exigences électriques .....12  
 Mise en place de l'appareil sur le toit...12  
 Installation de l'appareil .....14  
 Instr. Pour électricité.....15

## UTILISANT LE CONDITIONNEUR D'AIR

Commandes .....18  
 Orientation de l'air.....19  
 Ces phénomènes sont normaux.....19

## ENTRETIEN ET NETTOYAGE

Panneau intérieur..... 20  
 Filtre à air..... 20  
 Maintenance annuelle ..... 20

## CONSEILS DE DÉPANNAGE... 21

## SCHÉMAS DE PRINCIPE .....22

## GARANTIE LIMITÉE .....23

## SOUTIEN AU CONSOMMATEUR ..... 24

## MANUEL D'UTILISATION

### Unités de toit :

#### Hauteur standard

- GRCS13XHH\_
- GRHS13XHH\_
- GRCS13XAH\_
- GRHS13XAH\_
- GRCS15XAH\_
- GRHS15XAH\_

#### Profile Bas

- PLCS13XHH\_
- PLHS13XHH\_
- PLCS13XAH\_
- PLHS13XAH\_
- PLCS15XAH\_
- PLHS15XAH\_

### Assemblages intérieurs :

- RPRED\_ \_
- RPREN\_ \_
- RGRED\_ \_
- RGREN\_ \_
- RGRMN\_ \_

## FRANÇAIS

Écrivez le modèle et les numéros de série ici:

Modèle # \_\_\_\_\_

Serial # \_\_\_\_\_

Vous pouvez les trouver sur une étiquette sur le climatiseur.

## **NOUS VOUS REMERCIONS D'ACCUEILLIR GE APPLIANCES CHEZ VOUS RV**

---

Que vous ayez grandi avec GE Appliances ou qu'il s'agisse de votre première acquisition, nous sommes heureux de vous accueillir dans notre famille.

Nous sommes fiers du savoir-faire, de l'innovation et de l'esthétique qui composent chaque appareil GE Appliances, et nous pensons que vous le serez aussi. Dans cette optique, nous vous rappelons que l'enregistrement de votre électroménager vous assure la communication de renseignements importants sur le produit et la garantie lorsque vous en avez besoin.

Enregistrez votre électroménager GE en ligne dès maintenant. Des sites Web et des numéros de téléphone utiles figurent dans la section Soutien au consommateur de ce manuel d'utilisation.



# INFORMATION DE SÉCURITÉ IMPORTANTES

## LISEZ TOUTES LES DIRECTIVES AVANT D'UTILISER L'APPAREIL

### ⚠ AVERTISSEMENT

Pour votre sécurité, vous devez suivre les instructions de ce manuel pour réduire les risques d'incendie, d'explosion, de choc électrique, de dommage à la propriété, de blessure ou de décès.

- N'utilisez cet appareil que pour son usage prévu, tel que décrit dans le Manuel de l'utilisateur.
- Vous devez bien monter ce conditionneur, conformément aux Instructions de montage, avant de l'utiliser.
- Remplacez immédiatement tout cordon d'alimentation abîmé ou endommagé. Un cordon d'alimentation électrique endommagé ne doit pas être réparé mais plutôt remplacé par un autre cordon d'alimentation obtenu du fabricant. N'utilisez pas un cordon d'alimentation qui montre des fissures ou des signes d'abrasion sur sa longueur ou encore près de la prise ou du connecteur.
- Éteignez l'appareil et débranchez toutes les sources d'alimentation du véhicule avant d'effectuer le nettoyage ou les réparations.
- Afin de prévenir le risque de blessure ou de dommage à la propriété, le climatiseur doit être réparé par un technicien qualifié seulement. Celui-ci doit détenir un certificat à jour valide attribué par un organisme d'évaluation de l'industrie qui sanctionne sa compétence à manipuler des frigorigènes d'une manière sûre, en conformité avec une norme d'évaluation reconnue par l'industrie.
- Pour votre sécurité... ne rangez jamais ou n'utilisez jamais des matériaux combustibles, de l'essence ou d'autres vapeurs ou liquides inflammables à proximité de cet appareil ou de tout autre appareil électroménager.
- Tous les conditionneurs contiennent des fluides frigorigènes qui, en vertu de la loi fédérale, doivent être retirés avant la mise au rebut de l'appareil. Si vous vous débarrassez d'un vieil appareil contenant des fluides frigorigènes, renseignez-vous sur la façon de faire auprès de l'entreprise qui s'occupe de la mise au rebut.
- Ces systèmes de climatisation R32 exigent que les entrepreneurs et les techniciens utilisent des outils, des équipements et des normes de sécurité approuvés pour ce type de réfrigérant. N'utilisez PAS un équipement certifié pour d'autres réfrigérants seulement.
- Cet appareil n'est pas destiné à être utilisé par des personnes (y compris des enfants) dont les capacités physiques, sensorielles ou mentales sont réduites, ou dont l'expérience et les connaissances sont insuffisantes, à moins qu'elles ne soient sous surveillance ou qu'elles n'aient reçu des instructions quant à l'utilisation de l'appareil par une personne responsable de leur sécurité.

### ⚠ WARNING

Risque d'incendie ou d'explosion. Cet appareil contient un réfrigérant inflammable. Des mesures de sécurité supplémentaires doivent être observées.

- N'utilisez pas de moyens visant à accélérer le dégivrage ou le nettoyage autres que ceux recommandés par le fabricant.
- L'appareil doit être entreposé dans une pièce dépourvue de sources d'allumage fonctionnant en permanence (par exemple : flammes nues; appareil à gaz ou radiateur électrique en fonctionnement).
- Abstenez-vous de percer ou de brûler la tubulure de réfrigérant. Sachez que les réfrigérants peuvent être inodores.
- Gardez les orifices de ventilation libres de toute obstruction.
- Lors de la manipulation, de l'installation et de l'utilisation de l'appareil, veillez à ne pas endommager la tubulure de réfrigérant.
- Ne percez pas de trou dans l'appareil.
- L'entretien, le nettoyage et les réparations doivent être effectués uniquement par des techniciens dûment formés pour manipuler des réfrigérants inflammables.
- GEAppliances ne prend pas en charge la réparation des composants étanches du système (c'est-à-dire des pièces contenant du réfrigérant) dans le climatiseur.
- Mettez le climatiseur au rebut conformément aux réglementations fédérale et locale. Les réfrigérants inflammables exigent des procédures de mise au rebut spéciales. Contactez les autorités locales pour la mise au rebut écologique de votre climatiseur.

Pour plus d'informations sur le recyclage des appareils, rendez-vous sur le site [GEAppliances.com/recycling](http://GEAppliances.com/recycling).

## LIRE ET CONSERVER CES INSTRUCTIONS

# Connaissances générales

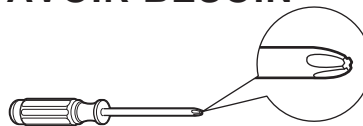
Questions? Composez le 1.800.361.3400 ou visitez notre site web à : [electromenagersge.ca](http://electromenagersge.ca)

## AVANT DE COMMENCER

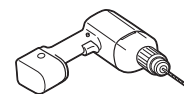
Lisez ces instructions attentivement et en totalité.

- Conservez ces instructions pour l'inspecteur local.
- Observez tous les codes et règlements en vigueur.
- **Note au monteur** – Conservez le Manuel du propriétaire.
- **Note au consommateur** – Conservez ces instructions pour consultation ultérieure.
- **Niveau de compétence** – L'installation de cet appareil requiert un technicien de véhicule récréatif qualifié.
- **Temps d'exécution** – Environ 1 heure
- Nous recommandons que l'installation de ce produit soit effectuée par deux personnes.
- La responsabilité de l'exactitude de l'installation incombe à l'installateur.
- La garantie ne couvre pas les défauts du produit causés par une installation inadéquate.
- Vous devez utiliser toutes les pièces fournies et suivre les procédures appropriées qui figurent dans ces instructions lors de l'installation de ce climatiseur.

## OUTILS DONT VOUS POUVEZ AVOIR BESOIN



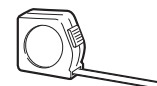
Tournevis à tête Phillips



Perceuse et foret 1/8 po



Crayon



Mètre à ruban ou ridge



Niveau



Scissors ou couteau



Clé dynamométrique (0-60 in-lbs)

		Assemblages Intérieurs				
		RPRED	RPREN	RGRED	RGREN	RGRMN
Elec. Control	RGREC1A	✓	✓	✓	✓	X
	RGREC2A	✓	✓	✓	✓	X
	RGREC3A	✓	✓	✓	✓	X
Tstat	RGRWT	✓	✓	✓	✓	X

## ⚠ ATTENTION

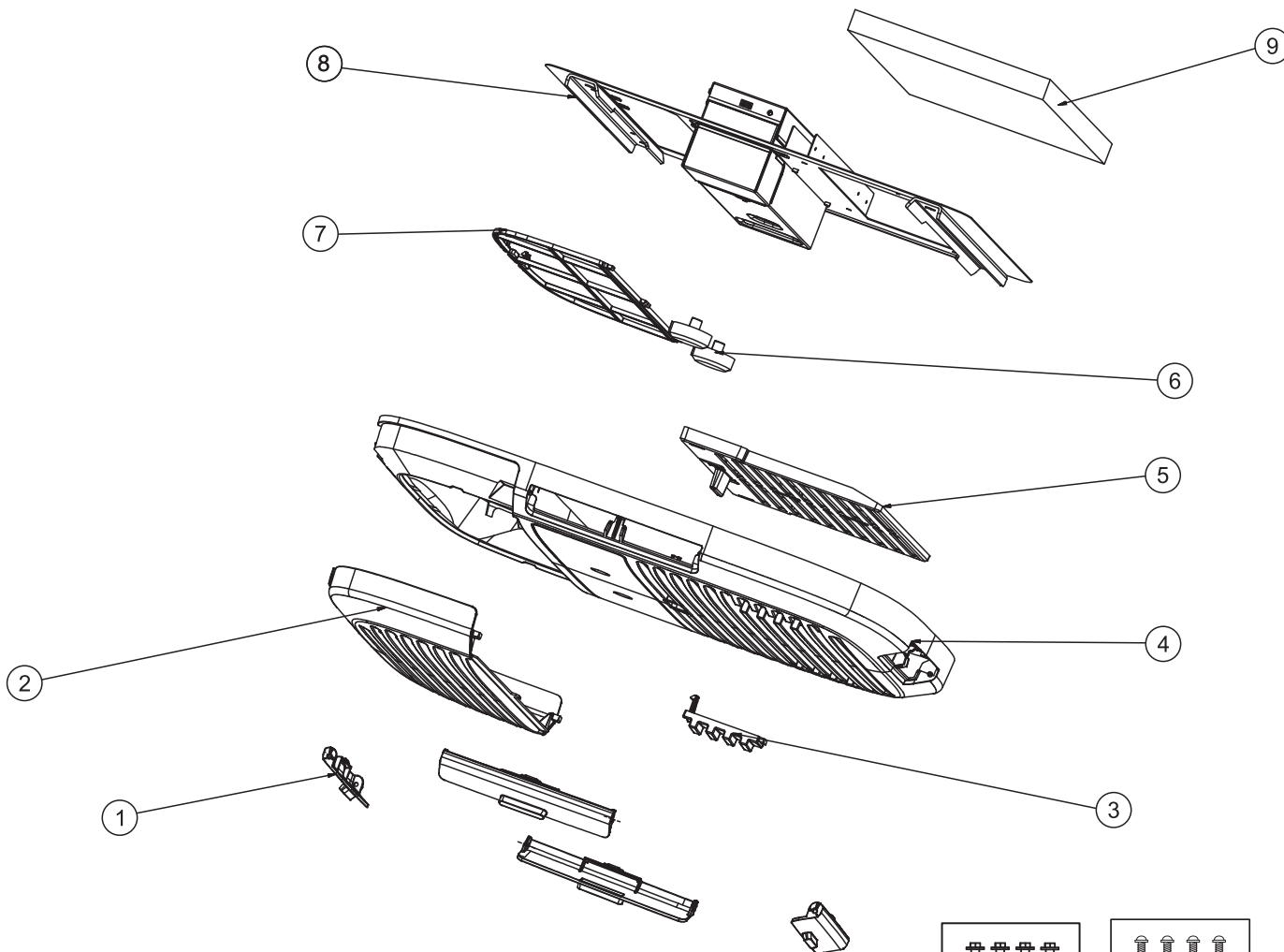
Prenez garde aux bords acérés pour éviter les blessures. Deux personnes sont nécessaires pour soulever ce climatiseur.

Du câblage électrique peut se trouver entre le toit et le plafond. Assurez-vous que l'alimentation est hors tension depuis les sources principales et la batterie. Assurez-vous que l'arrivée de gaz est fermée. La désobéissance à ces consignes représente un risque de blessure ou la mort.

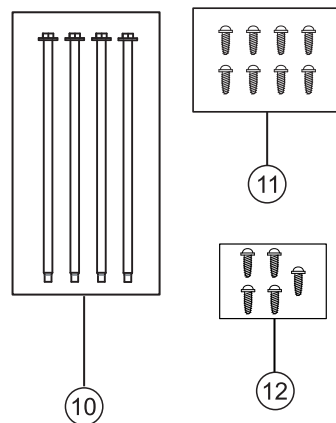
			Unités Intérieures					Intensité du Disjoncteur	
			RPRED	RPREN	RGRED	RGREN	RGRMN	MCA	MOP
Unités Extérieures	Hauteur Standard	GRCS13XHH_					✓	15A	20A
		GRHS13XHH_					X		
		GRCS13XAH_	✓	✓	✓	✓	✓	20A	
		GRHS13XAH_					X		
		GRCS15XAH_					✓		
		GRHS15XAH_					X		
	Profile Bas	PLCS13XHH_					✓	15A	
		PLHS13XHH_					X		
		PLCS13XAH_	✓	✓	✓	✓	✓	20A	
		PLHS13XAH_					X		
		PLCS15XAH_					✓		
		PLHS15XAH_					X		

# Vue éclatée

RGRMN

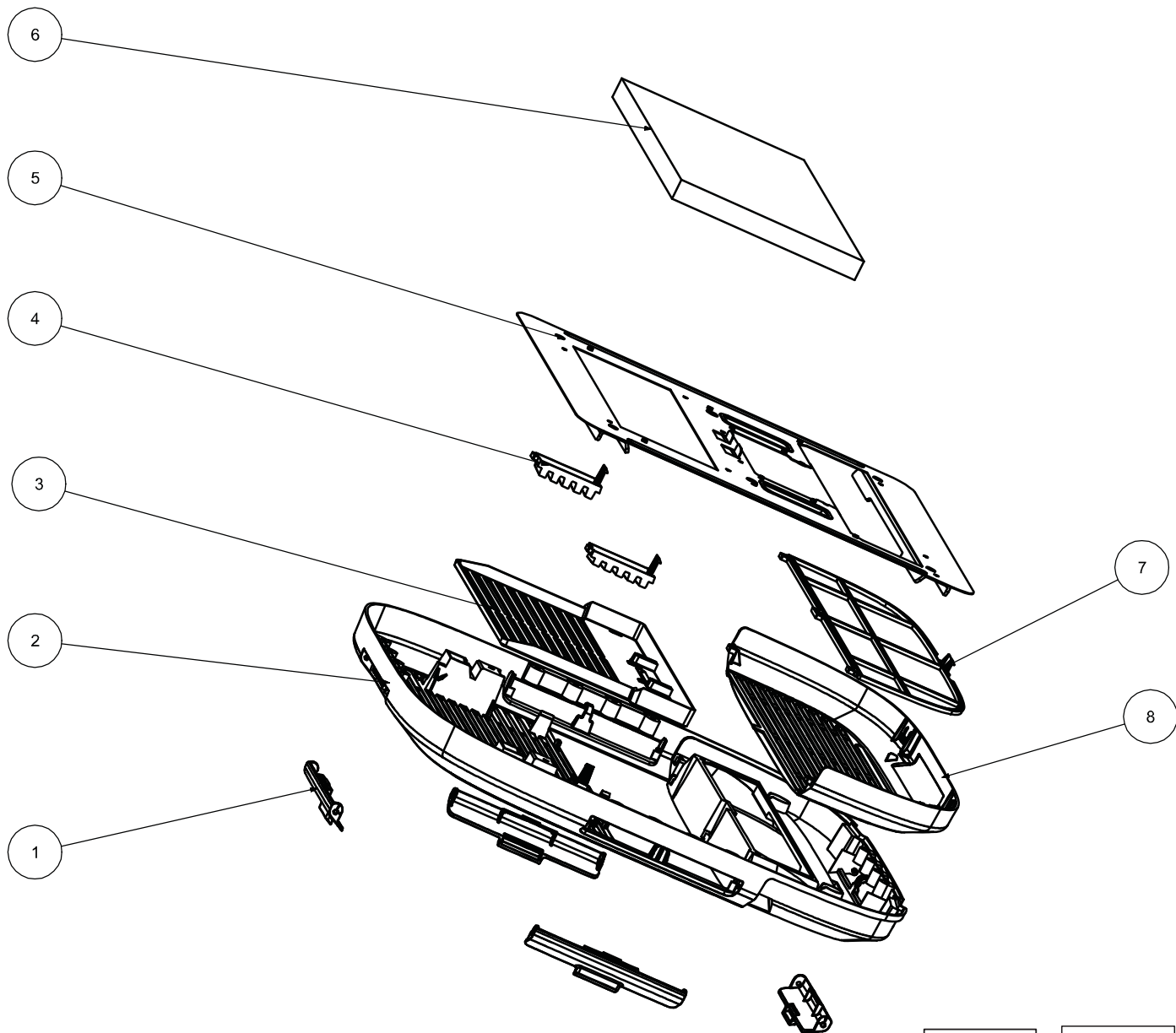


Numéro	Nom de la pièce	QTÉ
1	Volet de décharge d'air	4
2	Couvercle du filtre	1
3	Cache-vis	2
4	Panneau de plafond	1
5	Guide de décharge directe de l'air	1
6	Boutons	2
7	Filtre	1
8	Gabarit de montage	1
9	Chicane pour division de l'air	1
10	Vis à bois	4
11	Plaques de retenue de chicane	8
12	Vis à tôle	5

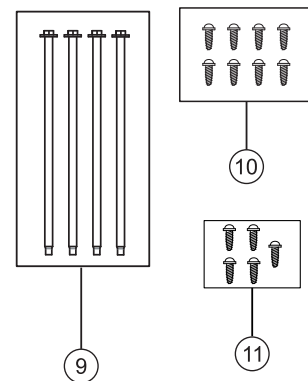


# Vue éclatée

RGREN

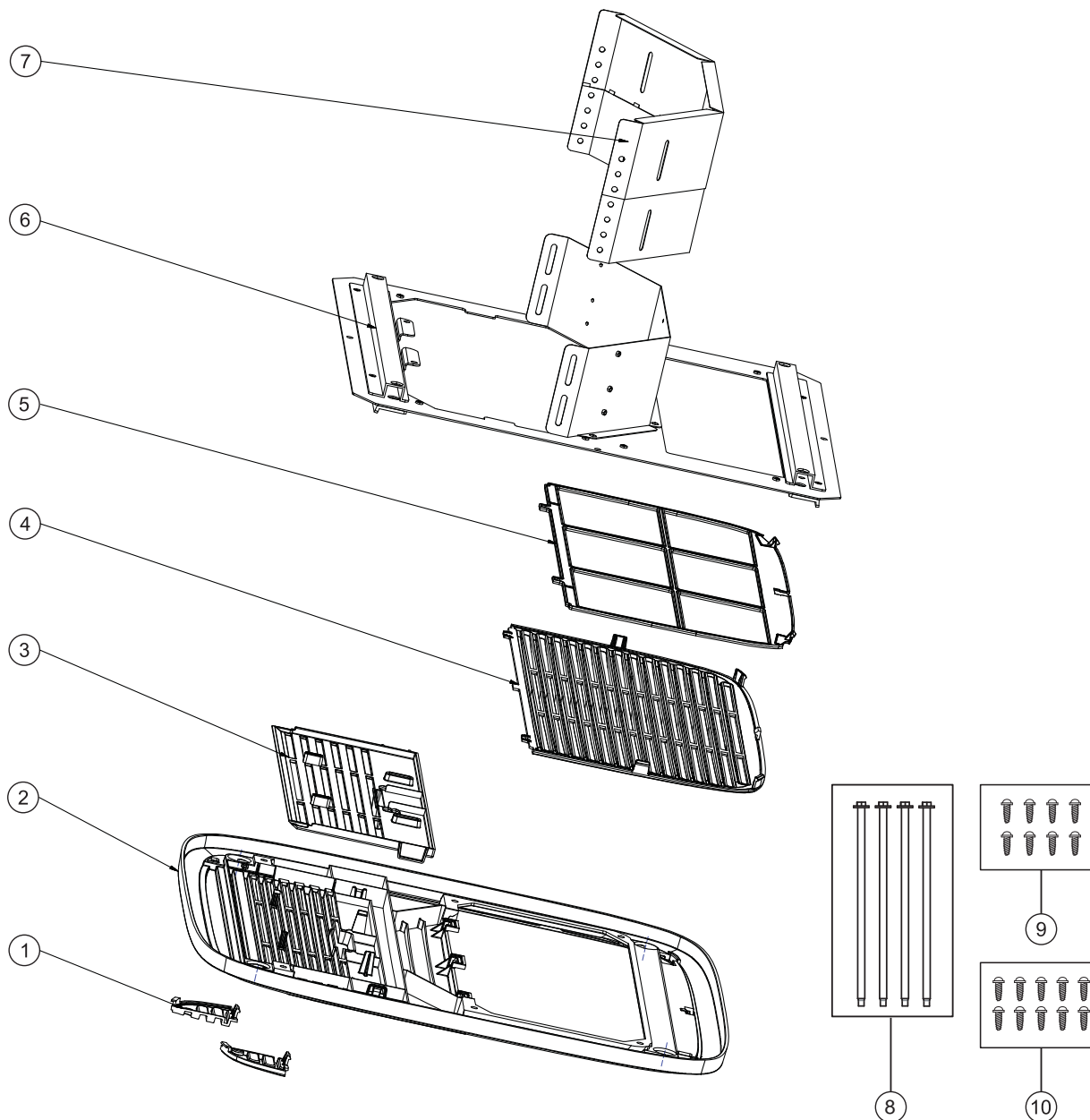


Numéro	Nom de la pièce	QTÉ
1	Volet de décharge d'air	4
2	Panneau de plafond	1
3	Couvercle du filtre	1
4	Filtre	1
5	Gabarit de montage	1
6	Chicane pour division de l'air	1
7	Cache-vis	2
8	Guide de décharge directe de l'air	1
9	Vis à bois	4
10	Plaques de retenue de chicane	8
11	Vis à tôle	5



# Vue éclatée

RGRED

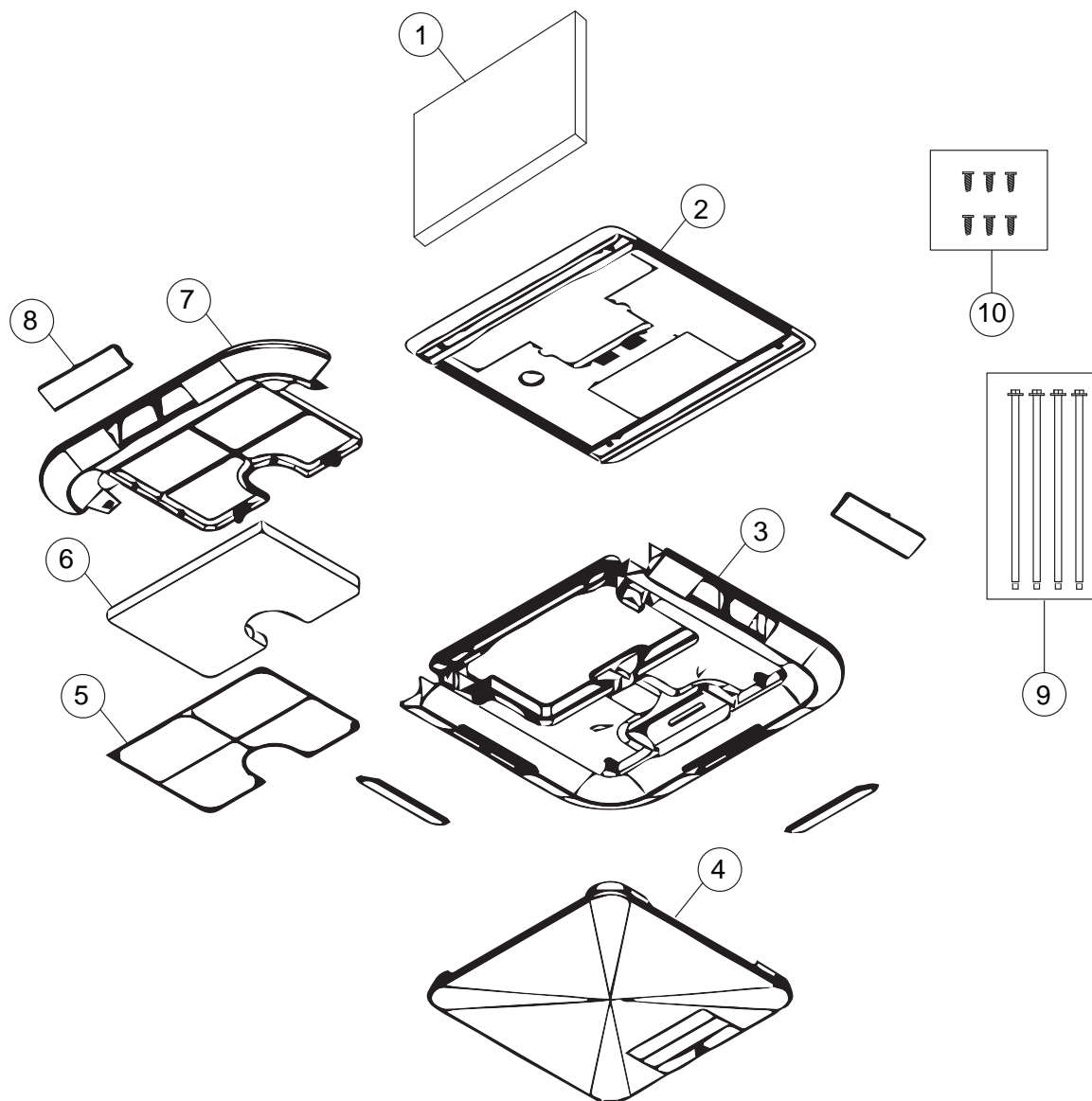


Numéro	Nom de la pièce	QTÉ
1	Cache-vis	2
2	Panneau de plafond	1
3	Guide de décharge directe de l'air	1
4	Couvercle du filtre	1
5	Plaque de retenue du filtre + Filtre	1
6	Gabarit de montage	1
7	Chicane pour division de l'air	1
8	Vis à bois	4
9	Plaques de retenue de chicane	8
10	Vis à tôle	9

# Vue éclatée

RPREN\_ \_-Électronique non canalisé

Assurez-vous que tous les accessoires suivants ont été livrés avec votre climatiseur :



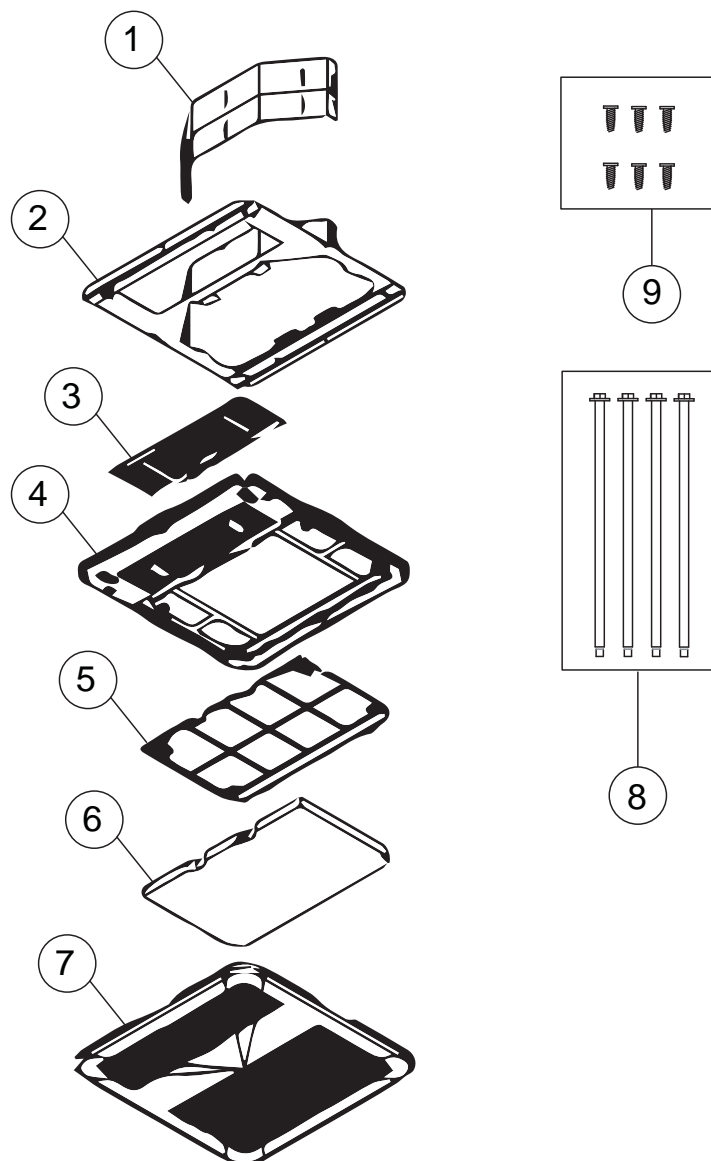
Numéro	Nom de la pièce	QTÉ
1	Chicane pour division d'air	1
2	Gabarit de montage	1
3	Base du panneau de plafond	1
4	Couvercle du panneau de plafond	1
5	Plaque de retenue du filtre	1
6	Filtre	1
7	Plateau de filtre	1
8	Volet de décharge latérale	4
9	Boulons de montage M8	4
10	Vis à tôle	6



# Vue éclatée

## RPRED\_ - Conduit électronique

Assurez-vous que tous les accessoires suivants ont été livrés avec votre climatiseur :



Numéro	Nom de la pièce	QTÉ
1	Chicane pour division d'air	1
2	Gabarit de montage	1
3	Guide de décharge directe	1
4	Base du panneau de plafond	1
5	Plaque de retenue du filtre	1
6	Filtre	1
7	Couvercle du panneau de plafond	1
8	Boulons de montage M8	4
9	Vis à tôle	9

# Instructions d'installation

## **⚠ AVERTISSEMENT** RISQUE D'ÉLECTROCUTION

Des blessures graves ou mortelles peuvent survenir si ces instructions ne sont pas respectées.

- Débranchez la source d'alimentation de 120 VCA avant de commencer l'installation ou les réparations.
- Assurez-vous que ce produit est mis à la terre conformément aux codes en vigueur.
- Installez toutes les pièces et les panneaux avant de mettre l'appareil en marche.

### A. EXIGENCES ET DÉTERMINATION DE L'EMPLACEMENT D'INSTALLATION SUR LE TOIT

- Les climatiseurs couverts par ce manuel sont conçus pour être installés sur le toit d'un véhicule
- L'installation de ce climatiseur doit être conforme aux normes 1192 et 70 de la NFPA.
- Pour que l'installation soit adéquate, une ouverture carrée de  $14 \frac{3}{8} \times 14 \frac{3}{8}$  po (+/-  $\frac{1}{4}$  po) dans le toit et le plafond du véhicule récréatif.
- Il doit y avoir un espace de 2 à 6 po entre le plafond du VR et le toit pour accommoder notre déflecteur de division d'air.
- Les climatiseurs couverts par ce manuel sont conçus pour être installés sur des ouvertures d'aération existantes sur un toit.
- Respectez les directives suivantes si aucune ouverture d'aération n'est disponible sur le toit :
- L'appareil doit être installé au centre de part et d'autre sur le toit du véhicule récréatif.
- L'appareil doit être installé sur une partie du toit étant à niveau avec le toit du véhicule récréatif si ce dernier est stationné sur une surface plane et à niveau.
- Le toit au point d'installation peut avoir un angle d'inclinaison maximal de 15° vers l'avant ou l'arrière du VR.

**Illustration 1 : Unité extérieure GE Appliances**

**Illustration 2 : Unité extérieure GE Profile**

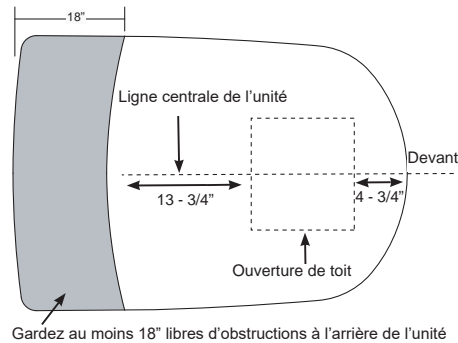
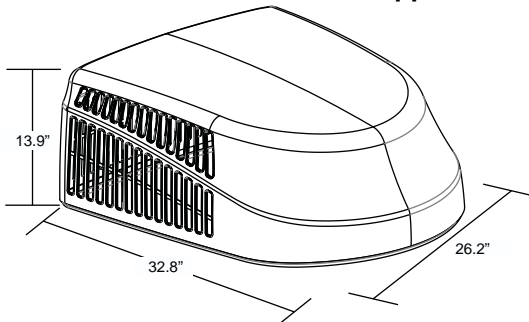
**Illustration 3 : Unité intérieure sans conduits GE Appliances (RGRMN)**

**Illustration 4 : Unité intérieure à conduits GE Appliances (RGRED)**

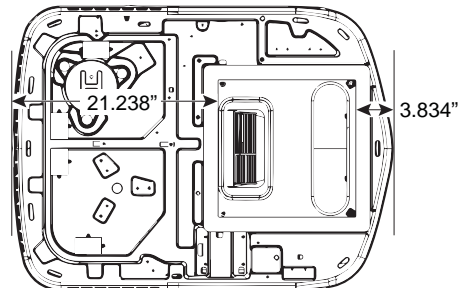
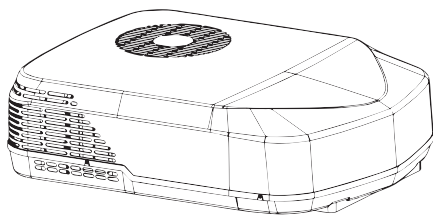
**Illustration 5 : Unité intérieure sans conduits GE Profile (RPREN)**

**Illustration 6 : Unité intérieure à conduits GE Profile (RPRED)**

**Illustration 1: Unité extérieure GE Appliances:**

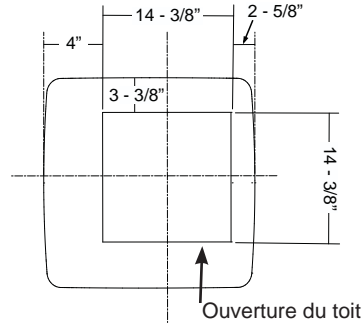
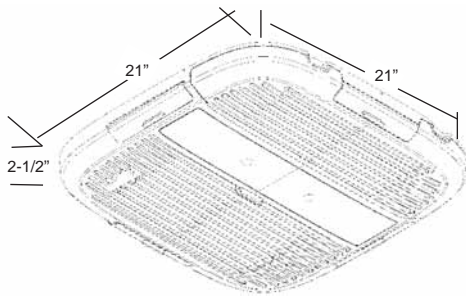


**Illustration 2: Unité extérieure GE Profile:**

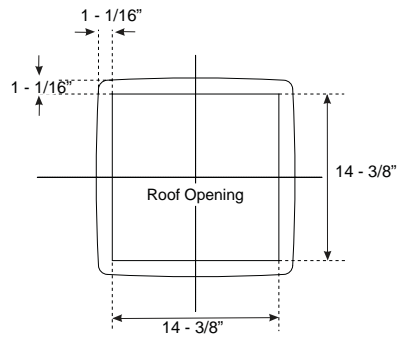
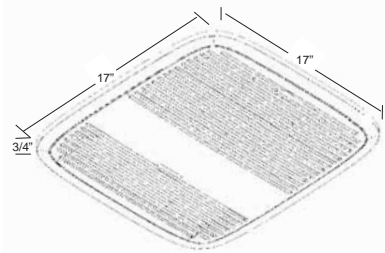


# Instructions d'installation

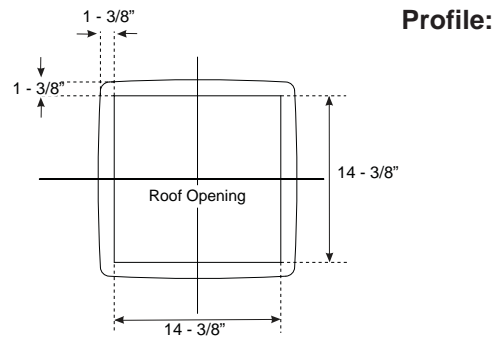
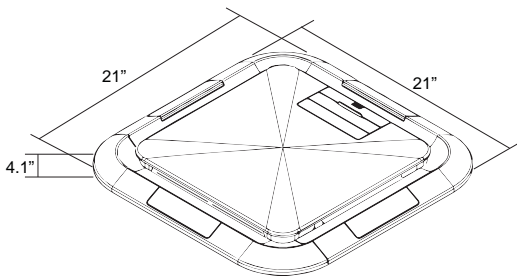
**Illustration 3: Unité intérieure sans conduits GE Appliances:**



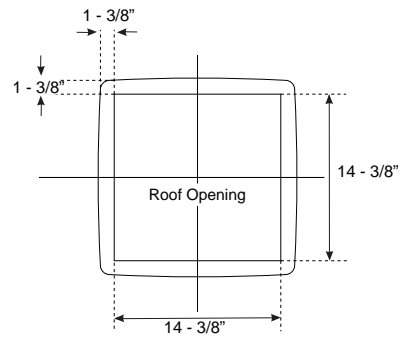
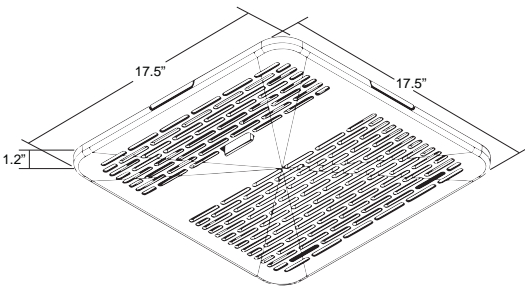
**Illustration 4: Unité intérieure à conduits GE Appliances:**



**Illustration 5: Unité intérieure sans conduits GE**



**Illustration 6: Unité intérieure à conduits GE Profile:**



# Instructions d'installation

## B. EXIGENCES ET PRÉPARATION DU TOIT

Si une ouverture d'aération de toit est utilisée :

1. Dévissez et retirez l'évent de toit du véhicule récréatif.
2. Scellez tous les trous et toutes les rainures avec un calfeutrant résistant aux intempéries.
3. Mesurez la largeur et la longueur de l'ouverture de l'évent. Vous devrez ajuster l'ouverture si cette dernière ne correspond pas aux exigences mentionnées ci-dessus.

Si vous n'utilisez pas l'ouverture existante, une nouvelle ouverture devra être découpée sur le toit et le plafond du véhicule récréatif..

1. Cette ouverture DOIT se situer entre les montants de la structure du toit.
2. NE coupez PAS les montants de la structure du toit pour créer l'ouverture du climatiseur. Des montants découpés pourraient endommager le véhicule récréatif et le climatiseur.
3. ÉVITEZ de créer une dénivellation sur le toit du véhicule récréatif. L'eau pourrait s'y accumuler et fuir par l'ouverture.

L'ouverture carrée doit être emboîtée à la charpente sur moins  $\frac{3}{4}$  po d'épaisseur pour résister à la charge des boulons de compression.

Assurez-vous de ménager un trou d'accès pour le câblage du véhicule de plaisance vers l'avant de l'ouverture de  $14 \frac{3}{8}$  po x  $14 \frac{3}{8}$  po.

Le toit et la structure du véhicule récréatif au point d'installation doivent être suffisamment résistants pour supporter le climatiseur et ne pas s'enfoncer. L'enfoncement permettra l'accumulation d'eau par le joint d'étanchéité du climatiseur et provoquera éventuellement une fuite.

## C. EXIGENCES ÉLECTRIQUES

Ces modèles requièrent une alimentation de 115 V, 60 Hz protégée par un fusible temporisé 15 ou 20 ampères ou un disjoncteur (voir le tableau 1 à la page 4).

Utilisez un câble avec fil de cuivre et mise à la terre gainé d'un calibre américain de fil (AWG) d'au moins 12.

Assurez-vous qu'au moins une longueur de 40 cm (16 po) de câble est insérée dans la structure. Ceci permettra d'assurer une longueur suffisante pour effectuer le raccord vers la boîte de jonction.

## D. MISE EN PLACE DE L'APPAREIL SUR LE TOIT

**⚠ AVERTISSEMENT** **RISQUE LORS DU SOULÈVEMENT.** Assurez-vous de prendre des méthodes et de contrôles de soulèvement lors du soulèvement de l'appareil sur le toit du véhicule récréatif. Des méthodes et contrôles inadéquats représentent un risque de blessures.

1. Déballez l'appareil et jetez les matériaux d'emballage.
2. Ne glissez pas l'appareil sur son joint d'installation. Un joint endommagé peut provoquer une fuite. À deux personnes, soulevez l'appareil et déposez-le sur l'ouverture préparée. La face de l'appareil doit faire face au sens de la direction du véhicule récréatif. Vous risquez d'endommager le ventilateur du condensateur et l'échangeur ventilé si ces instructions ne sont pas respectées.

**⚠ ATTENTION** Il est important de lire et de comprendre les instructions d'installation avant de procéder à l'installation et à l'utilisation.

Une installation non sécuritaire de l'appareil sur le véhicule récréatif avant son déplacement représente un risque de blessure, voire la mort.

Ne faites pas fonctionner l'appareil ni le véhicule récréatif tant que l'appareil n'est pas installé en toute sécurité sur le toit.

3. Apportez tout l'ensemble de plafond et toute la quincaillerie de montage dans le véhicule récréatif. Si vous utilisez un assemblage intérieur, tout le travail à l'extérieur du véhicule récréatif est maintenant terminé.

### REMARQUE :

**Pour les installations d'assemblage intérieur suivantes, passez à la section correspondante :**

RGRMN : Section E1, page 13

RGREN : Section E1, page 13

RPREN : Section E1, page 13

RGRED : Section F, page 15

RPRED : Section F, page 15

## MONTAGE DEPUIS LE HAUT

1. Inclinez votre unité vers le haut et placez votre déflecteur de façon qu'il sépare les écoulements d'air entrant et sortant sans interférer avec le réseau de conduits dans votre ouverture de toit. Ensuite, remettez votre unité vers le bas, en conservant la position indiquée dans la section A.
2. Retirez le capot extérieur en dévissant les 4 vis autour du périmètre de l'unité et placez-le sur le côté.
3. Retirez le couvercle en polypropylène expansé (EPP) de l'évaporateur et rangez-le avec le couvercle du capot. Tirez les cordons d'alimentation 115 VCA et 12 VCC ainsi que le câblage du thermostat situé dans l'ouverture du toit, à travers l'ouverture d'entrée d'air ovulaire à l'avant du plateau de base du climatiseur.
4. Identifiez les zones dentelées dans la pièce inférieure du couvercle EPP de l'évaporateur. C'est à ces 4 endroits que vous passerez les tirefonds pour fixer le climatiseur au toit du VR.
5. Si vous montez l'unité dans un cadre en bois, utilisez des tirefonds conçus pour le bois et serrez-les à 35 +/-5 po-lb. Si vous montez dans un cadre en aluminium, utilisez des tirefonds conçus pour le métal et serrez au couple de 35 +/- 5 po-lb.
6. Consultez le manuel d'utilisation et d'entretien de la commande pour connecter l'alimentation, les thermistances et un thermostat à votre commande.
7. Une fois votre commande bien fermée et fixée, glissez-la dans le support de montage à l'avant de l'appareil. Les languettes qui dépassent du côté de la commande doivent glisser dans la cavité du support.
8. Utilisez 2 des vis à tôle fournies avec votre commande pour la fixer au support par les languettes saillantes.
9. Réinstallez le couvercle EPP de l'évaporateur, en veillant à ce qu'il soit correctement aligné sur la base EPP. Le non-respect de cette consigne entraînera une baisse des performances du climatiseur.
10. Réinstallez le capot extérieur en serrant les 4 vis retirées à l'étape 2.
11. Vous avez installé votre unité avec succès.

# Instructions d'installation

## E1. INSTALLATION SANS CONDUITS (RGRMN, RGREN ET RPREN)

1. Depuis l'intérieur du véhicule récréatif, vérifiez à nouveau la position et l'alignement du joint d'étanchéité au-dessus de l'ouverture du toit. Effectuez des ajustements si nécessaire. Le climatiseur peut être déplacé et ajusté en le poussant vers le haut depuis l'intérieur du véhicule récréatif.
2. Introduisez votre main dans le fond et tirez le cordon d'alimentation du climatiseur par l'ouverture du plafond.
3. Mesurez l'épaisseur entre le plafond et le toit.
4. Découpez des rangées au bas du déflecteur en mousse selon le tableau ci-dessous:

Espesor del techo al techo		Filas para cortar
Min.	Max.	
2	2.5	10
2.5	3	8
3.5	4	6
4.5	5	4
5	5.5	2
5.5	6	0

Meilleure pratique :

Découpez une rangée à la fois et vérifiez la position d'installation du déflecteur. Lorsque la mousse supérieure est comprimée au fond du climatiseur, le bas du déflecteur doit être encastré dans l'ouverture du plafond.

5. Placez le déflecteur en mousse entre les 2 plaques de retenue.
6. Poussez le gabarit de montage dans l'ouverture du toit et commencez à visser à la main chacune des 4 vis de montage à travers les écrous dans le plateau de base.
7. Serrez les 4 boulons uniformément à  $35 \pm 5$  pouces livres à l'aide d'une clé dynamométrique au moins de 0 à 60 pouces-livres. Une compression uniforme est nécessaire pour éviter les fuites à travers le joint.

### ARRÊTEZ!

**Pour RGRMN, voir section E2 – Câblage sans conduits mécanique**

**Pour RGREN & RPREN, voir section E3 – Câblage sans conduits mécanique**

## E1. INSTALLATION SANS CONDUITS (RGRMN, RGREN ET RPREN) (cont.)

8. Fixez le panneau de plafond sur le gabarit de montage à l'aide de 2 vis à tôle dans 2 trous de la cavité du filtre. Le filtre doit être retiré pour installer les vis.
9. En appliquant une pression au centre du panneau de plafond, vissez 2 vis à bois dans les trous sous le volet situé le plus près du guide de décharge directe. Les orifices de décharge latéraux doivent être retirés pour permettre l'accès aux trous de montage.
10. Vissez les 6 vis à bois restantes situées sous les orifices de décharge latéraux. Accédez aux trous de montage en suivant la méthode de l'étape précédente.
11. Réinstallez les filtres.
12. L'installation est terminée. Reportez-vous à la section «Commandes» à la page 17 avant d'essayer de faire fonctionner le climatiseur.

## E2. INSTALLATION MÉCANIQUE SANS CONDUITS (RGRMN\_\_)

1. Retirez le couvercle du connecteur à 3 et 4 broches de l'assemblage du plafond en retirant deux vis.
2. Branchez le cordon muni du connecteur à 3 et 4 broches dans les prises respectives sur le gabarit de montage.
3. Réinstallez le couvercle du connecteur à 3 et 4 broches en faisant passer le cordon dans l'ouverture en U et prenez soin de ne pas pincer les fils.
4. Enlevez le couvercle de la boîte de jonction en retirant 2 vis.
5. Faites passer le cordon d'alimentation de 115 VCA dans le passe-fil à 2 vis de l'assemblage du plafond. Serrez ensuite le passe-fil en prenant soin de ne pas endommager les fils.
6. À l'aide de connecteurs de fils adaptés à votre calibre de fil, connectez le fil de ligne au noir, le neutre au blanc et le fil de terre au vert.
7. À l'aide de ruban isolant, fixez les connecteurs pour éviter tout mouvement potentiel dû aux vibrations du véhicule. Si des capuchons de connexion sont utilisés, assurez-vous d'appliquer le ruban dans le sens de serrage du capuchon afin de ne pas desserrer involontairement la connexion.
8. Placez les fils et les connexions d'alimentation à l'intérieur de la boîte de jonction et réinstallez le couvercle de la boîte de jonction.
9. Alignez le panneau de plafond en plastique sur le gabarit de montage en vous servant des montants de bouton de commande comme guides.
10. Installez les 2 boutons de commande en vous assurant que le contour en D est correctement aligné sur les montants.
11. Passez à l'étape 8 de la section E1.

## E3. INSTALLATION ÉLECTRONIQUE SANS CONDUITS (RGREN\_\_ et RPREN\_\_)

1. Retirez la plaque d'obturation du gabarit de montage en retirant 3 vis.
2. Montez le boîtier de commande principal (RGREC\_A) sur le gabarit de montage à l'aide de 2 vis.
3. Retirez 3 vis de la base du boîtier de commande principal, ce qui permet à la base de s'ouvrir. La carte de commande est maintenant visible et accessible.
4. Faites passer le cordon d'alimentation 115 VCA dans la bague antitraction du boîtier de commande. Serrez ensuite le passe-fil en prenant soin de ne pas endommager les fils.
5. À l'aide de connecteurs de fils adaptés à votre calibre de fil, connectez le fil conducteur au bleu, le neutre au blanc et le fil de terre au vert/jaune.
6. À l'aide de ruban isolant, fixez les connecteurs pour éviter tout mouvement potentiel dû aux vibrations du véhicule. Si des capuchons de connexion sont utilisés, assurez-vous d'appliquer le ruban dans le sens de serrage du capuchon afin de ne pas desserrer involontairement la connexion.

## E3. INSTALLATION ÉLECTRONIQUE SANS CONDUITS (RGREN\_\_ et RPREN\_\_) (suite)

7. Acheminez les connecteurs à 3 et 4 broches de l'unité extérieure à travers l'ouverture en U du boîtier de commande. Raccordez ces connecteurs à leurs prises correspondantes sur la carte de commande.
8. Connectez le fil d'alimentation 12 VCC et le fil de terre de votre VR aux bornes des connecteurs amovibles à 2 broches libellées respectivement « 12V » et « GND ». Consultez le manuel d'utilisation et d'entretien de la commande pour connecter votre commande particulière à votre thermostat mural.
9. Votre unité sera livrée avec 2 thermistances préinstallées dans votre unité de climatisation qui doivent être connectées à la carte de commande principale. Le capteur de gel du serpentin intérieur est un connecteur à 2 broches qui doit être branché sur la borne T2 de la carte de commande et le capteur de température de la sortie d'air intérieur est un connecteur à 3 broches qui doit être branché sur le connecteur T3 de la carte de commande principale. Les modèles à thermopompe sont également dotés d'un connecteur à 4 broches qui contient une thermistance de serpentin extérieur et une thermistance de température ambiante extérieure, qui doit être connectée à la borne T4/T5 de la carte de commande principale. Si les connexions spécifiées ne sont pas effectuées, des codes d'anomalie peuvent apparaître et l'unité ne fonctionnera pas correctement.
10. Si vous utilisez le capteur d'ambiance RGRES1A avec votre unité de climatisation, vous devrez connecter le capteur à la carte de commande principale via la borne amovible à 2 broches libellée « LS ».
11. **FACULTATIF** : Si vous souhaitez que votre unité de climatisation soit connectée au système de délestage de votre VR (non inclus avec tous les VR), vous devrez connecter votre système de délestage à la carte de commande principale. Si vous utilisez une commande RGREC1A, connectez le système de délestage via le connecteur amovible à 2 broches étiqueté « LS ». Si vous utilisez une commande RGREC2A, connectez le système de délestage via la borne sur le connecteur détachable à 8 broches étiqueté « LS ».
12. **FACULTATIF** : Si vous avez un appareil de chauffage que vous souhaitez contrôler par votre thermostat, connectez votre appareil de chauffage aux deux bornes libellées « FUR » sur le connecteur amovible à 4 broches. Reportez-vous au manuel d'utilisation de votre appareil de chauffage.
13. **FACULTATIF** : Toutes les commandes ont l'option de démarrage automatique du générateur. Si vous souhaitez activer cette fonction, connectez votre générateur aux deux bornes étiquetées « GEN » sur le connecteur amovible à 4 broches.
14. En maintenant toutes les connexions à l'intérieur du boîtier de commande, faites passer les fils par l'ouverture en U sur le côté. Ensuite, en prenant soin de ne pas pincer ou écraser les fils, tournez la base du boîtier de commande principal vers le haut et, pour sceller le boîtier de commande, réinstallez les 3 vis retirées à l'étape 3.

## Instructions d'installation

### E3. INSTALLATION ÉLECTRONIQUE SANS CONDUITS (RGREN\_\_ et RPREN\_\_) (suite)

15. Installez la plaque de recouvrement à l'aide de 3 vis qui se fixent au gabarit de montage, et de 2 vis qui se fixent au boîtier de commande principal.
16. Pour RgREN, passez à l'étape 8, section E1. Pour RPREN, passez à l'étape 16, section E3.
17. Fixez la base du panneau de plafond au gabarit de montage à l'aide de 4 vis à tête
18. Installez le filtre et la retenue du filtre dans le plateau de filtre.
19. En alignant le plateau de filtre sur les rainures correspondantes de la base du panneau de plafond, glissez le plateau de filtration pour le mettre en place.
20. À l'aide des quatre guides en relief sur la base du panneau de plafond, installez le couvercle du panneau de plafond.
21. L'installation est terminée. Consultez les instructions d'utilisation du thermostat avant d'essayer de le faire fonctionner.

### F. INSTALLATION ÉLECTRONIQUE AVEC CONDUIT (RGRED & RPRED)

1. Depuis l'intérieur du véhicule récréatif, vérifiez à nouveau la position et l'alignement du joint d'étanchéité au-dessus de l'ouverture du toit. Effectuez des ajustements si nécessaire. Le climatiseur peut être déplacé et ajusté en le poussant vers le haut depuis l'intérieur du véhicule récréatif.
2. Introduisez votre main dans le fond et tirez le cordon d'alimentation du climatiseur par l'ouverture du plafond.
3. Poussez le gabarit de montage de plafond dans l'ouverture du plafond et commencez à serrer manuellement les quatre (4) boulons de montage aux écrous de fond.
4. Serrez les 4 boulons de manière uniforme à  $35 \pm 5$  pouces livres en utilisant un couple nominal minimum de 0 à 60 livres-pouce. Même la compression est nécessaire pour éviter les fuites à travers le joint.
5. Placez le déflecteur diviseur à sa place dans l'assemblage de plafond. Assurez-vous que le déflecteur est appuyé contre le fond et forme un joint étanche à l'air.
6. Montez le déflecteur diviseur au gabarit de montage en utilisant trois (3) vis.

### F. INSTALLATION ÉLECTRONIQUE AVEC CONDUIT (RGREN & RPRED) (suite)

7. Montez le déflecteur diviseur au bois d'ossature en utilisant deux (2) vis pour créer le joint étanche à l'air. Pour une étanchéité supplémentaire, utilisez du ruban d'aluminium pour sceller toute fuite potentielle entre la charpente et le déflecteur.
8. Montez la boîte de commandes principale (RGREC\_\_) au gabarit de montage en utilisant quatre (4) vis.
9. Retirez trois (3) vis de la boîte de commandes principale pour permettre l'ouverture de la charnière de la partie inférieure. Le tableau de commande est maintenant visible et accessible.
10. Acheminez le cordon d'alimentation de 115 VCC dans le protecteur de cordon de l'assemblage de plafond. Serrez le protecteur de cordon en vous assurant de ne pas endommager les câbles.
11. À l'aide de connecteurs de fils adaptés à votre calibre de fil, connectez le fil conducteur au bleu, le neutre au blanc et le fil de terre au vert/jaune.
12. Sécurisez les capuchons de connexion avec du ruban isolant pour éviter tout déplacement éventuel causé par la vibration du véhicule récréatif.
13. Acheminez les connecteurs à 3 et 4 broches de l'unité extérieure à travers l'ouverture en U du boîtier de commande. Raccordez ces connecteurs à leurs prises correspondantes sur la carte de commande.
14. Connectez le fil d'alimentation 12 VCC et le fil de terre de votre VR aux bornes des connecteurs amovibles à 2 broches libellées respectivement « 12V » et « GND ». Consultez le manuel d'utilisation et d'entretien de la commande pour connecter votre commande particulière à votre thermostat mural.
15. Votre unité sera livrée avec 2 thermistances préinstallées dans votre unité de climatisation qui doivent être connectées à la carte de commande principale. Le capteur de gel du serpentin intérieur est un connecteur à 2 broches qui doit être branché sur la borne T2 de la carte de commande et le capteur de température de la sortie d'air intérieur est un connecteur à 3 broches qui doit être branché sur le connecteur T3 de la carte de commande principale. Les modèles à thermopompe sont également dotés d'un connecteur à 4 broches qui contient une thermistance de serpentin extérieur et une thermistance de température ambiante extérieure, qui doit être connectée à la borne T4/T5 de la carte de commande principale. Si les connexions spécifiées ne sont pas effectuées, des codes d'anomalie peuvent apparaître et l'unité ne fonctionnera pas correctement.



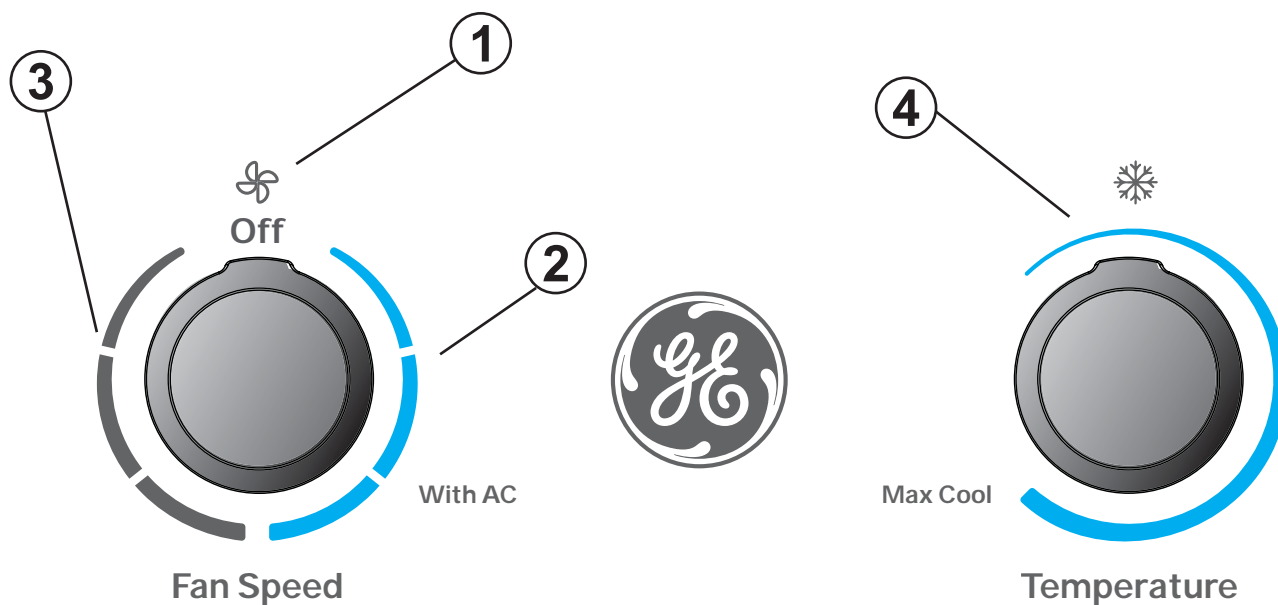
## F. INSTALLATION ÉLECTRONIQUE AVEC CONDUIT (RGRED & RPRED)

(suite)

16. Si vous utilisez le capteur d'ambiance RGRES1A avec votre unité de climatisation, vous devrez connecter le capteur à la carte de commande principale via la borne amovible à 2 broches libellée « LS ».
17. **FACULTATIF** : Si vous souhaitez que votre unité de climatisation soit connectée au système de délestage de votre VR (non inclus avec tous les VR), vous devrez connecter votre système de délestage à la carte de commande principale. Si vous utilisez une commande RGREC1A, connectez le système de délestage via le connecteur amovible à 2 broches étiqueté « LS ». Si vous utilisez une commande RGREC2A, connectez le système de délestage via la borne sur le connecteur détachable à 8 broches étiqueté « LS ».
18. **FACULTATIF** : **Si vous avez un appareil de chauffage** que vous souhaitez contrôler par votre thermostat, connectez votre appareil de chauffage aux deux bornes libellées « FUR » sur le connecteur amovible à 4 broches. Reportez-vous au manuel d'utilisation de votre appareil de chauffage.
19. En maintenant toutes les connexions à l'intérieur du boîtier de commande, faites passer les fils par l'ouverture en U sur le côté. Ensuite, en prenant soin de ne pas pincer ou écraser les fils, tournez la base du boîtier de commande principal vers le haut et, pour sceller le boîtier de commande, réinstallez les 3 vis retirées à l'étape 9.
20. Pour RGRED, alignez le panneau de plafond en plastique sur le gabarit de montage. Pour RPRED, alignez la base du panneau de plafond sur le gabarit de montage.
21. À l'aide des 6 vis à tôle fournies, fixez le panneau de plafond ou la base du panneau de plafond au gabarit de montage. Le filtre et le couvercle de filtre doivent être retirés pour installer ces vis.
22. Pour RGRED, installez le filtre et le couvercle du filtre en appuyant sur la languette unique au milieu du couvercle du filtre pour l'enclencher dans la cavité du filtre. Installez ensuite les cache-vis gauche et droit en les insérant dans leurs cavités respectives.
23. Pour RPRED, installez la retenue du filtre (avec le filtre dans la base du panneau de plafond) en la faisant glisser sous les deux languettes de la base du panneau de plafond, puis en la tournant vers le bas. Alignez ensuite le couvercle du panneau de plafond à l'aide du bouton coulissant et poussez-le vers le haut dans la direction du plafond pour le mettre en place.
24. L'installation est terminée. Consultez les instructions d'utilisation du thermostat avant d'essayer de le faire fonctionner.
25. **FACULTATIF** : Toutes les commandes ont l'option de démarrage automatique du générateur. Si vous souhaitez activer cette fonction, connectez votre générateur aux deux bornes étiquetées « GEN » sur le connecteur amovible à 4 broches.

# Commandes

Les fonctions et l'aspect peut varier



## Commandes du conditionneur

### Commandes

#### 1. Hors tension

Le climatiseur est éteint dans cette position.

#### 2. Modes de climatisation

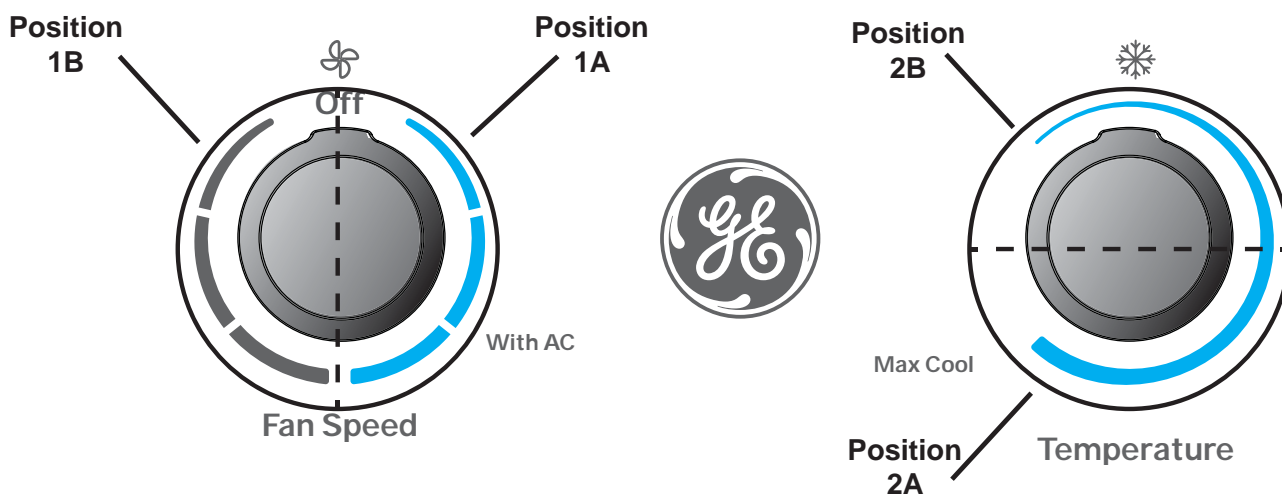
Avec ces positions, le compresseur et les ventilateurs fonctionnent pour fournir de l'air froid. Ces trois modes sont pour les vitesses du ventilateur : faible, moyenne et élevée.

#### 3. Modes de ventilation seulement

Avec ces modes, les ventilateurs fonctionneront pour faire circuler l'air dans le véhicule récréatif. Ces trois modes sont pour les vitesses du ventilateur : faible, moyenne et élevée.

#### 4. Sélection de température

Ce bouton détermine le point de consigne de la température de la pièce. Tournez ce bouton pour augmenter ou diminuer la température de l'air que le climatiseur devra fournir pour la pièce.



### ATTENTION

Afin de prévenir le déclenchement du disjoncteur, attendez un minimum de 3 minutes entre la mise en arrêt et la remise en marche du compresseur (c.-à-d. attendre 3 minutes avant de tourner le cadran de la position 1A à 1B puis de retour à 1A, ou de la position 2A à 2B puis de retour à 2A (illustré ci-dessus).

# Utilisant le conditionneur d'air

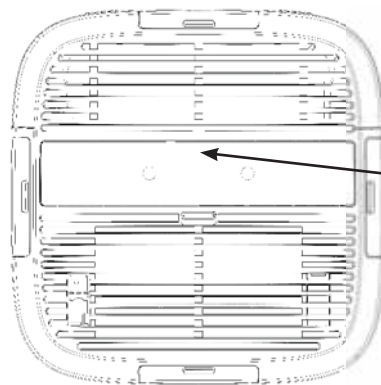
## IMPORTANTE:

- Lorsque le climatiseur est mis à l'arrêt, attendre au moins 3 minutes avant de le remettre en marche. Ceci prévient la surcharge du compresseur. Ce délai de 3 minutes s'applique aussi pour le passage aux modes fraîcheur (Cool) et ventilateur (Fan).
- Ne pas essayer de faire fonctionner le climatiseur en mode fraîcheur (Cool) lorsque la température extérieure est inférieure à 15 °C (60°F). Le serpentin d'évaporateur interne gèlera et le climatiseur ne fonctionnera adéquatement.
- Afin de prévenir le déclenchement du disjoncteur lors du réglage du thermostat ou de la vitesse du ventilateur, attendez 3 minutes entre les cycles du compresseur pour allouer suffisamment de temps à l'équilibrage de la pression du réfrigérant.

## Orientation de l'air

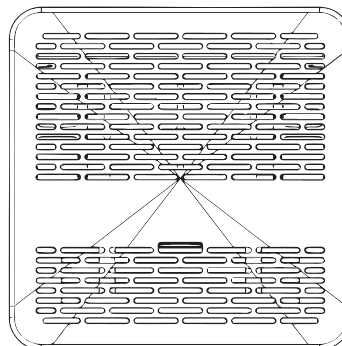
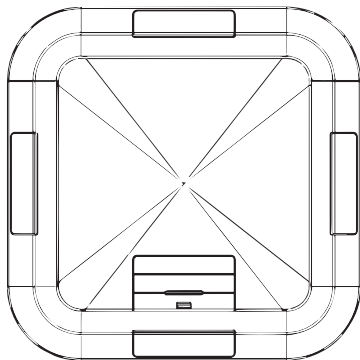
Utilisez le levier ou ouvrir l'évent sur la face du panneau de commandes.

Ouvrez ou fermez les quatre (4) sorties latérales pour régler la circulation d'air provenant du climatiseur.



Le levier est situé entre les deux boutons.

Vue de face



## Ces phénomènes sont normaux

Lorsque votre climatiseur fonctionne normalement, vous pouvez entendre des sons comme :

- Le son de gouttelettes d'eau percutant le condensateur, causant un bruit d'eau percutant le métal ou un cliquetis. Les gouttelettes d'eau aident à refroidir le condensateur.
- Le déplacement d'air du ventilateur.
- Les clics des cycles du thermostat.
- Un ronflement aigu ou un bruit de pulsation produit par les cycles d'arrêt et de démarrage du compresseur.

## Utilisant le conditionneur d'air

### Panneau intérieur

Eteignez le climatiseur et débranchez le climatiseur avant le nettoyage.

Pour nettoyer, utilisez de l'eau et un détergent doux. N'utilisez pas d'eau de Javel ou d'abrasifs.

### Filtre à air

Le filtre à air doit être vérifié toutes les 2 semaines et nettoyé, le cas échéant.

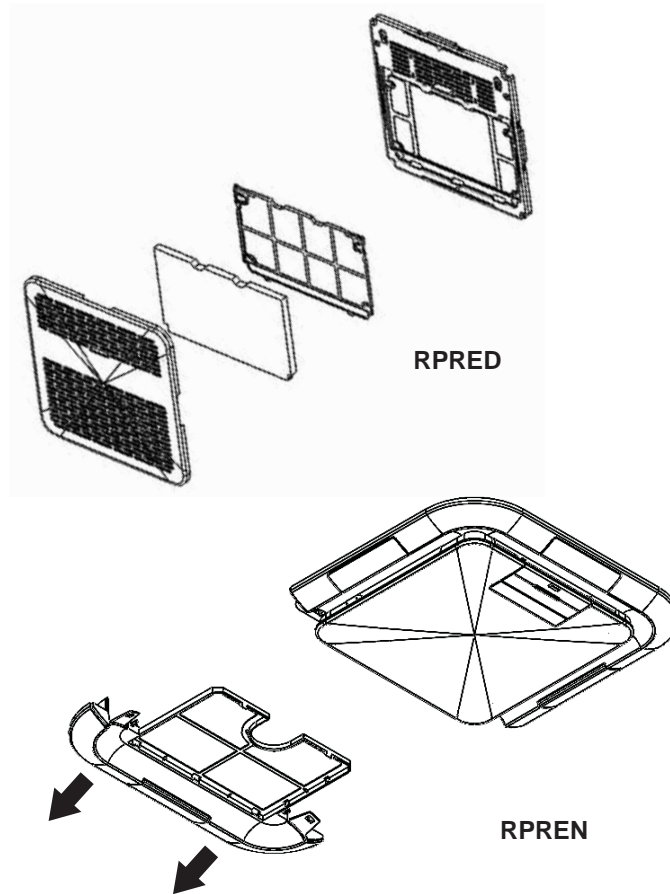
**NE PAS** faire fonctionner le climatiseur sans filtre, car la saleté et les peluches l'encrassent et réduisent les performances.

#### Nettoyage du filtre à air

1. Éteignez le climatiseur.
2. Retirez le couvercle du filtre à air selon les illustrations suivantes pour accéder au filtre.
3. Utilisez un aspirateur pour nettoyer le filtre à air. Si le filtre à air est très sale, nettoyez-le à l'eau tiède avec un détergent doux. Ne lavez pas le filtre à air au lave-vaisselle et n'utilisez aucun produit de nettoyage chimique. Séchez complètement le filtre à air avant de le remplacer pour assurer une efficacité maximale.
4. Remontez le filtre à air sur le grill.
5. Réassemblez soigneusement le grill et le filtre sur le panneau principal.
6. Allumer le climatiseur.

**REMARQUE :** Les assemblages RPREN et RPRED utilisent un filtre MERV 6 qui doit être régulièrement vérifié et entretenu pour être exempt de débris.

Poussez les deux languettes vers le logo GE pour dégager le couvercle.



### Maintenance annuelle

Votre climatiseur a besoin d'un entretien annuel pour assurer des performances optimales et constantes tout au long de l'année.

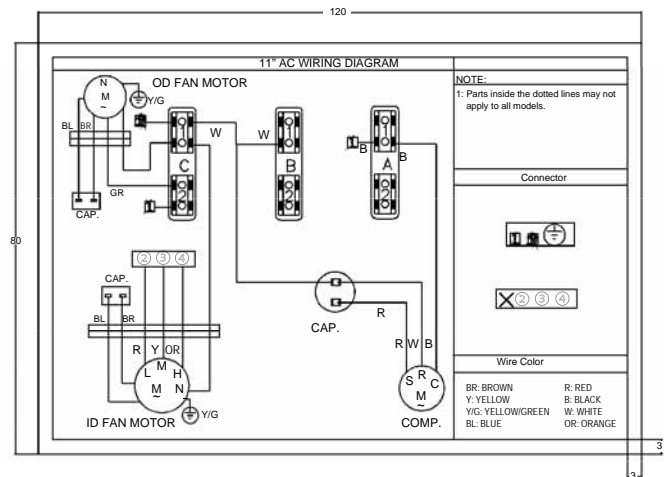
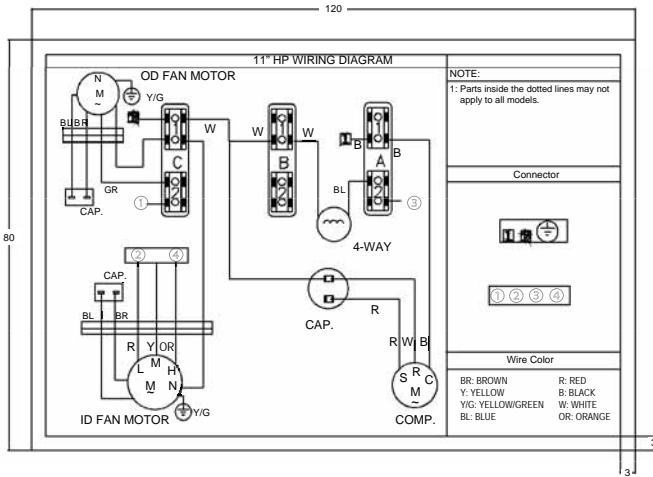
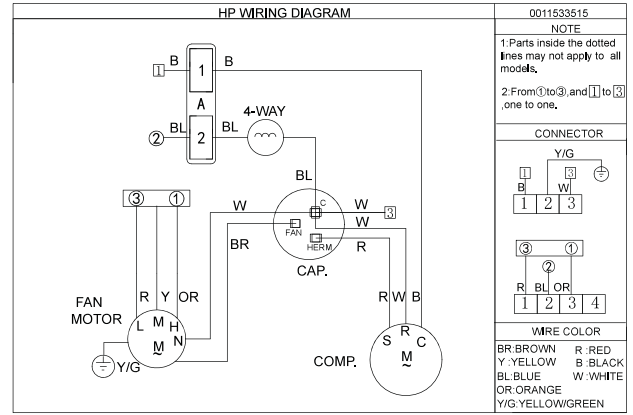
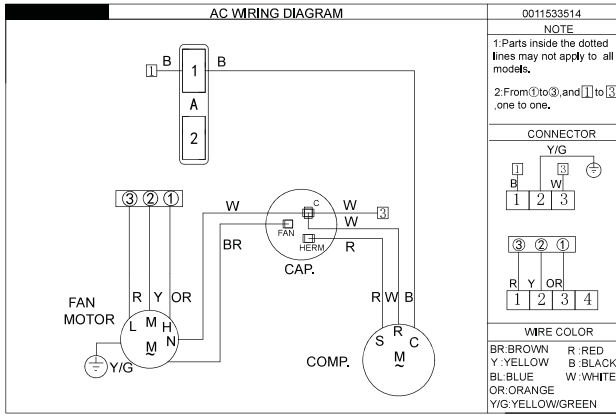
Appelez votre revendeur agréé local pour planifier un bilan de santé annuel. Les frais d'une inspection annuelle sont à votre charge.

# Conseils de dépannage... avant d'appeler le service

Économisez temps et argent! Examinez d'abord les tableaux suivants, un appel de service sera peut-être inutile.

Problème	Cause possible	Solution
Le climatiseur ne fonctionne pas.	Un fusible est grille ou le disjoncteur est déclenché.	Remplacez le fusible ou enclenchez à nouveau le disjoncteur. Si le problème persiste, appelez un électricien. Consultez le chapitre "Exigences électriques."
	Le réglage du mode est en position OFF.	Appuyez sur POWER ou réglez le mode sur un paramètre actif.
	Panne de courant locale.	Attendez que la panne soit rétablie.
Le climatiseur brûle les fusibles ou déclenche les disjoncteurs.	Trop d'appareils sont utilisés sur le même circuit.	Débranchez ou déplacez les appareils partageant le même circuit.
	Le fusible temporisé ou le disjoncteur n'est pas adapté à l'utilisation.	Remplacez par un fusible temporisé ou un disjoncteur adapté à l'utilisation. Consultez le chapitre "Exigences électriques."
	Vous avez éteint le climatiseur et n'avez pas attendu assez longtemps avant de le redémarrer.	Attendez au moins trois (3) minutes après avoir éteint le climatiseur avant de le remettre en marche.
Le climatiseur semble trop fonctionner.	Le climatiseur actuel remplace un vieux modèle.	L'utilisation de composants plus efficaces peut causer un fonctionnement plus long du climatiseur comparativement à un vieux modèle, mais la consommation énergétique sera moindre.  Les nouveaux climatiseurs ne produisent plus de "coup de vent" d'air froid et vous êtes peut-être habitué à de l'air plus froid des vieux modèles, mais ceci n'est pas un indice de capacité ou d'efficacité de refroidissement moindre.
	Le climatiseur fonctionne dans une pièce occupée par plusieurs personnes ou des appareils de chauffage fonctionnent dans la pièce.	Utilisez une hotte pendant la cuisson ou un ventilateur de salle de bain pendant les douches et essayez de ne pas utiliser d'appareils produisant de la chaleur pendant les périodes les plus chaudes de la journée. Un climatiseur plus puissant peut être nécessaire, en fonction de la dimension de la pièce à refroidir.
Les cycles de mise en marche et d'arrêt du climatiseur sont trop fréquents et ne climatise pas la pièce en mode de refroidissement.	La capacité du climatiseur est insuffisante pour votre véhicule récréatif.	Vérifiez les capacités de refroidissement du climatiseur de votre véhicule récréatif.
	Le filtre est sale ou obstrué par des débris.	Nettoyez ou remplacez le filtre.
	Une chaleur ou de la moisissure excessives (ouverture de contenants de cuisson, douches, etc.) dans la pièce.	Utilisez un ventilateur pour évacuer la chaleur et l'humidité de la pièce. Essayez de ne pas utiliser d'appareils produisant de la chaleur pendant les périodes les plus chaudes de la journée.
	Les événements sont fermés.	Assurez-vous que les événements sont ouverts.
	Les persiennes ou les conduits sont fermés.	Ne tentez pas de faire fonctionner votre climatiseur en mode de refroidissement lorsque la température extérieure est inférieure à 18 °C (65 °F).
	La température extérieure est inférieure à 15 °C (60 °F).	Allouez une période plus longue de refroidissement au climatiseur lorsque la pièce est très chaude.
	Des fenêtres ou des portes menant à l'extérieur sont ouvertes.	Fermez toutes les portes et toutes les fenêtres.
	La commande de température n'est pas assez basse.	Ajustez la commande de température et de temps (TEMP/TIME) à un réglage plus froid en appuyant sur le bouton moins (-) pour diminuer la température. Réglez la commande de vitesse du ventilateur à l'intensité la plus élevée.
De l'eau s'égoutte de l'appareil à l'intérieur de la pièce	Le serpentin intérieur est peut-être gelé.	Faites dégeler le serpentin en faisant fonctionner seulement le ventilateur.
	Le joint d'étanchéité de montage du climatiseur ne permet pas l'étanchéité avec le toit.	Vérifiez les boulons de fixation et serrez-les à 35 ± 5 in-lb si nécessaire.
Le climatiseur grille les fusibles ou déclenche le disjoncteur	Le serpentin du condenseur ou le ventilateur du condenseur est bloqué ou obstrué	Retirez toute matière bloquante du serpentin du condenseur ou du ventilateur du condenseur

# Schémas de principe



# Garantie limitée du conditionneur d'air

Toute réparation sous garantie doit être réalisée par nos Centres de service en usine ou un technicien Customer Care® autorisé. Pour prévoir une réparation, consultez notre site [electromenagersge.ca/soutien/demande-de-service](http://electromenagersge.ca/soutien/demande-de-service) ou appelez le 800.561.3344. Veuillez avoir votre numéro de série et votre numéro de modèle à portée de main lorsque vous appelez pour obtenir un service.

<b>Pendant la période de garantie de :</b>	<b>GE Appliances remplacera :</b>
<b>Deux ans</b> A compter de la date d'achat initial	<b>Toute pièce</b> du climatiseur qui se révèle défectueuse en raison d'un vice de matières ou de fabrication. Au cours de cette garantie limitée de deux ans, GE Appliances couvrira gratuitement les frais de main-d'œuvre et les frais de service associés pour remplacer la pièce défectueuse.

## Ce qui n'est pas couvert par GE Appliances :

- Toute visite à votre domicile pour vous expliquer le fonctionnement de l'appareil.
- Une installation, une livraison ou un entretien inadéquats. Pour tout problème d'installation, ou si le climatiseur n'assure pas une climatisation adéquate, communiquez avec votre détaillant ou votre installateur. Vous avez la responsabilité de fournir les installations appropriées pour les raccordements électriques.
- Une défectuosité attribuable à une modification du produit, une utilisation déraisonnable ou un entretien inadéquat ou négligent.
- Dans les établissements commerciaux, la main-d'œuvre nécessaire pour amener l'appareil à un endroit où il pourra être accessible aux fins de réparation par un technicien.
- Le remplacement des fusibles ou le réenclenchement des disjoncteurs.
- Une défectuosité attribuable à la corrosion sur les modèles qui ne sont pas protégés contre la corrosion.
- Les dommages au produit attribuables à une alimentation électrique inadéquate, un accident, un incendie, une inondation ou un cas de force majeure.
- Tout dommage direct ou indirect à la propriété causé par une éventuelle défectuosité de ce climatiseur.
- Les dommages survenus après la livraison.

**EXCLUSION DE GARANTIES IMPLICITES - Votre seul et unique recours consiste dans la réparation du produit selon les dispositions de cette Garantie limitée. Toutes les garanties implicites, incluant les garanties de qualité marchande et de convenance, sont limitées à deux ans ou à la période la plus courte autorisée par la loi.**

Cette garantie limitée est offerte à l'acheteur initial et à tout propriétaire subséquent d'un produit acheté en vue d'une utilisation aux États-Unis et au Canada. Si le produit est installé dans une région non desservie par un réparateur autorisé GE Appliances, vous pourriez être tenu d'assumer des frais de déplacement ou d'apporter le produit à un centre de réparation autorisé GE Appliances. En Alaska, la garantie limitée ne couvre pas les frais d'expédition et les appels de service à votre domicile.

Dans certains États ou provinces, il est interdit d'exclure ou de limiter les dommages directs ou indirects. La présente garantie limitée vous confère des droits juridiques spécifiques. Vous pouvez bénéficier d'autres droits qui varient d'une province ou d'un État à l'autre. Pour connaître les droits dont vous bénéficiez dans votre région, communiquez avec des relations avec les consommateurs de votre région ou encore le Procureur général de votre État.

**Garant : GE Appliances, a Haier company**  
**Louisville, KY 40225**

Agrafez votre facture ici. Pour bénéficier du service de réparation sous garantie, une preuve de la date d'achat initial est nécessaire.

## Soutien au consommateur

---

### Site Web de GE Appliances

Vous avez une question ou vous avez besoin d'aide pour votre appareil électroménager? Visitez le site Web de GE Appliances 24 heures par jour, tous les jours de l'année! Vous pouvez aussi y trouver d'autres formidables produits GE Appliances et tirer avantage de tous nos services d'assistance en ligne. Aux États-Unis : **GEAppliances.com**

---

### Enregistrez votre électroménager

Enregistrez votre nouvel appareil en ligne au moment qui vous convient le mieux! L'enregistrement de votre produit dans les délais prescrits permet une meilleure communication et un service rapide, selon les modalités de votre garantie, si besoin est. Vous pouvez également envoyer par courrier la carte d'enregistrement pré-imprimée qui se trouve dans l'emballage de votre appareil.

Aux États-Unis : **GEAppliances.com/register**

---

### Service de réparation

Un service de réparation expert GE Appliances se trouve à quelques pas de chez vous. Rendez-vous sur notre site et programmez, à votre convenance, une visite de réparation à n'importe quel jour de l'année.

Aux États-Unis : **GEAppliances.com/service** ou composez le 800.432.2737 durant les heures normales de bureau.

---

### Prolongation de garantie

Procurez-vous une prolongation de garantie GE Appliances et informez-vous des rabais spéciaux en vigueur pendant la durée de votre garantie. Vous pouvez vous la procurer en ligne en tout temps. Les services GE Appliances seront toujours disponibles après l'expiration de la garantie. Aux États-Unis :

**GEAppliances.com/extended-warranty** ou composez le 800.626.2224 durant les heures normales de bureau.

---

### Connectivité à distance

Pour de l'assistance concernant la connectivité au réseau sans fil (pour les modèles équipés de cette fonction), visitez notre site Web au **GEAppliances.com/connected-home-smart-appliances** ou composez le 800.220.6899 aux États-Unis seulement.

---

### Pièces et accessoires

Les personnes ayant les compétences requises pour réparer elles-mêmes leurs appareils peuvent recevoir directement à la maison des pièces ou accessoires (les cartes VISA, MasterCard et Discover sont acceptées). Commandez en ligne 24 heures par jour.

Aux États-Unis : **GEApplianceparts.com** ou par téléphone au 877.959.8688 durant les heures normales de bureau.

**Les instructions contenues dans le présent manuel comportent des procédures que tout utilisateur peut effectuer. Les autres types de réparation doivent généralement être confiés à un technicien qualifié. Utilisez de prudence : une réparation ou un entretien mal effectués peuvent rendre l'utilisation de l'appareil dangereuse.**

---

### Communiquez avec nous

Si vous n'êtes pas satisfait du service après-vente de GE Appliances, communiquez avec nous depuis notre site Web en fournissant tous les détails dont votre numéro de téléphone, ou écrivez à :

Aux États-Unis : General Manager, Customer Relations | GE Appliances, Appliance Park | Louisville, KY 40225  
**GEAppliances.com/contact**





# ACONDICIONADORES DE AIRE PARA SALA

## INFORMACIÓN DE SEGURIDAD .....3

## INSTRUCCIONES DE INSTALACIÓN

Antes de comenzar .....4

Herramientas Que Necesitará. ....4

RGRMN\_ \_ Lista de partes .....5

RGREN\_ \_ Lista de partes.....6

RGRED\_ \_ Lista de partes.....7

RPREN\_ \_ Lista de partes.....8

RPRED\_ \_ Lista de partes.....9

Requisitos para instalaciones.....10

Requisitos y preparación del techo .....12

Requisitos Eléctricos.....12

Colocación de la unidad en el techo.....12

Instalación del control mecánico.....14

Inst. Del control eléctrico .....15

## USO DEL ACONDICIONADOR DE AIRE

Controles .....18

Dirección del Aire.....19

Sonidos de operación normales .....19

## CUIDADO Y LIMPIEZA

Parrilla y Caja ..... 20

Filtro de Aire..... 20

Mantenimiento anual..... 20

## SOLUCIÓN DE PROBLEMAS ... 21

## DIAGRAMAS ESQUEMÁTICOS.....22

## GARANTÍA LIMITADA .....23

## SOPORTE AL CLIENTE..... 24

## MANUAL DEL PROPIETARIO

### Unidades de Techo:

#### Altura Estándar

- GRCS13XHH\_
- GRHS13XHH\_
- GRCS13XAH\_
- GRHS13XAH\_
- GRCS15XAH\_
- GRHS15XAH\_

#### Perfil Bajo

- PLCS13XHH\_
- PLHS13XHH\_
- PLCS13XAH\_
- PLHS13XAH\_
- PLCS15XAH\_
- PLHS15XAH\_

### Ensamblajes de Interior:

- RPRED\_ \_
- RPREN\_ \_
- RGRED\_ \_
- RGREN\_ \_
- RGRMN\_ \_

## ESPAÑOL

Escriba los números de modelo y de serie aquí:

Nº de Modelo \_\_\_\_\_

Nº de Serie \_\_\_\_\_

Estos números se encuentran en una etiqueta al costado del acondicionador de aire.

## **GRACIAS POR HACER QUE GE APPLIANCES SEA PARTE DE SU HOGAR.**

---

Ya sea que haya crecido usando GE Appliances, o que ésta es su primera vez, nos complace tenerlo en la familia.

Sentimos orgullo por el nivel de arte, innovación y diseño de cada uno de los electrodomésticos de GE Appliances, y creemos que usted también. Entre otras cosas, el registro de su electrodoméstico asegura que podamos entregarle información importante del producto y detalles de la garantía cuando los necesite.

Registre su electrodoméstico GE ahora a través de Internet. Sitios Web y números telefónicos útiles están disponibles en la sección de Soporte para el Consumidor de este Manual del Propietario.



**GE APPLIANCES**

# INFORMACIÓN IMPORTANTE DE SEGURIDAD

## LEA TODAS LAS INSTRUCCIONES ANTES DE USAR

**⚠ ADVERTENCIA** Para su seguridad, siga las instrucciones de este manual a fin de minimizar riesgos de incendio, descargas eléctricas o lesiones personales.

- Use este electrodoméstico sólo para su propósito original, como se describe en el Manual del Propietario.
- Este acondicionador de aire deberá ser instalado de forma apropiada de acuerdo con las Instrucciones de Instalación antes de su uso.
- Reemplace de inmediato todos los cables de corriente pelados o con cualquier tipo de daño.
- Apague la unidad y desconecte toda la corriente del vehículo antes de realizar la limpieza y el servicio técnico.
- A fin de evitar riesgos de lesiones o daños sobre la propiedad, el servicio técnico del acondicionador de aire sólo deberá ser realizado por un técnico calificado, quien deberá poseer un certificado actualizado y validado por una autoridad de evaluación industrial acreditada, la cual autorice su competencia para manejar refrigerantes de forma segura, de acuerdo con una especificación de evaluación industrial reconocida.
- Para su seguridad... no acumule ni use materiales combustibles, gasolina u otros vapores o líquidos inflamables cerca de éste u otro electrodoméstico.
- Todos los acondicionadores de aire contienen refrigerantes, los cuales de acuerdo con la ley federal deben ser retirados antes de deshacerse del producto. Si se deshará de un producto antiguo con refrigerantes, consulte a la compañía a cargo sobre cómo deshacerse del mismo.
- Estos sistemas de acondicionadores de aire R32 requieren que los contratistas y técnicos utilicen herramientas, equipamientos y estándares de seguridad aprobados para el uso con este refrigerante. NO use equipamiento certificado sólo para otros refrigerantes.
- Este electrodoméstico no deberá ser usado por personas (incluyendo niños) con capacidades físicas, sensoriales o mentales reducidas o con falta de experiencia y conocimiento, a menos que cuenten con supervisión o instrucción con relación al uso de este electrodoméstico por parte de una persona responsable de su seguridad.

**⚠ WARNING** Riesgo de incendio o Explosión Esta unidad contiene un refrigerante inflamable. Se deberán seguir las precauciones adicionales de seguridad.

- No use medios para acelerar el proceso de descongelación o para limpiar que no sean aquellos recomendados por el fabricante.
- Este electrodoméstico se deberá guardar en una sala donde no haya fuentes de ignición en funcionamiento constante (por ejemplo: llamas encendidas, un electrodoméstico a gas en funcionamiento o un calefactor eléctrico en funcionamiento).
- No perforo ni queme el tubo refrigerante. Tenga presente que los refrigerantes no deben tener olor.
- Mantenga las aberturas de la ventilación libres de obstrucciones.
- Al mover, instalar y operar el electrodoméstico, se deberá tener cuidado para evitar dañar la tubería del refrigerante.
- No realice perforaciones en la unidad.
- El mantenimiento, la limpieza y el servicio técnico sólo deberán ser realizados por técnicos adecuadamente entrenados y calificados en el uso de refrigerantes inflamables.
- GEAppliances no brinda soporte sobre ningún servicio técnico de componentes del sistema sellado (es decir: piezas que contengan refrigerante) del acondicionador de aire.
- Descarte el electrodoméstico de acuerdo con las Regulaciones Federales y Locales. Los refrigerantes inflamables requieren procedimientos de descarte específicos. Comuníquese con las autoridades locales para descartar su acondicionador de aire de forma ambientalmente segura.

Para obtener información sobre el reciclaje de electrodomésticos, visite [GEAppliances.com/recycling](http://GEAppliances.com/recycling)

## LEA Y GUARDE ESTAS INSTRUCCIONES

# Conocimiento General

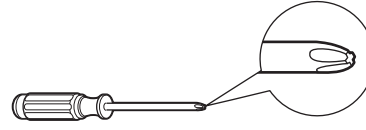
¿Preguntas? Llame 800.GE.CARES (800.432.2737) o visite nuestra página en la red en: [GEAppliances.com](http://GEAppliances.com)

## ANTES DE INICIAR

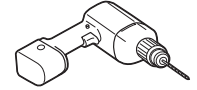
Lea estas instrucciones completa y cuidadosamente.

- Guarde estas instrucciones para uso del inspector local.
- Observe todos los códigos y órdenes de ley.
- **Nota al instalador** – Asegúrese de dejar estas instrucciones con el consumidor.
- **Nota al consumidor** – Conserve estas instrucciones para referencia futura..
- **Nivel de destreza** – La instalación de este aparato requiere de destrezas mecánicas básicas.
- **Tiempo de ejecución** – Aprox. 1 hora
- Recomendamos dos personas para la instalación de este producto.
- La instalación apropiada es la responsabilidad del instalador.
- La falla del producto debido a una instalación inadecuada no está cubierta por la garantía.
- Cuando instale este acondicionador de aire, DEBE usar todas las piezas suministradas y usar procedimientos adecuados de instalación.

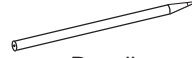
## TOOLS YOU WILL NEED



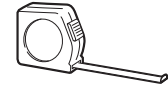
Phillips head screwdriver



Drill and 1/8" drill bit



Pencil



Ruler or tape measure



Level



Torque Wrench (0-60 in-lbs)



Scissors or knife

		Asambleas interiores				
		RPRED	RPREN	RGRED	RGREN	RGRMN
Elec. Control	RGREC1A	✓	✓	✓	✓	X
	RGREC2A	✓	✓	✓	✓	X
	RGREC3A	✓	✓	✓	✓	X
Tstat	RGRWT	✓	✓	✓	✓	X

## ⚠ PRECAUCIÓN

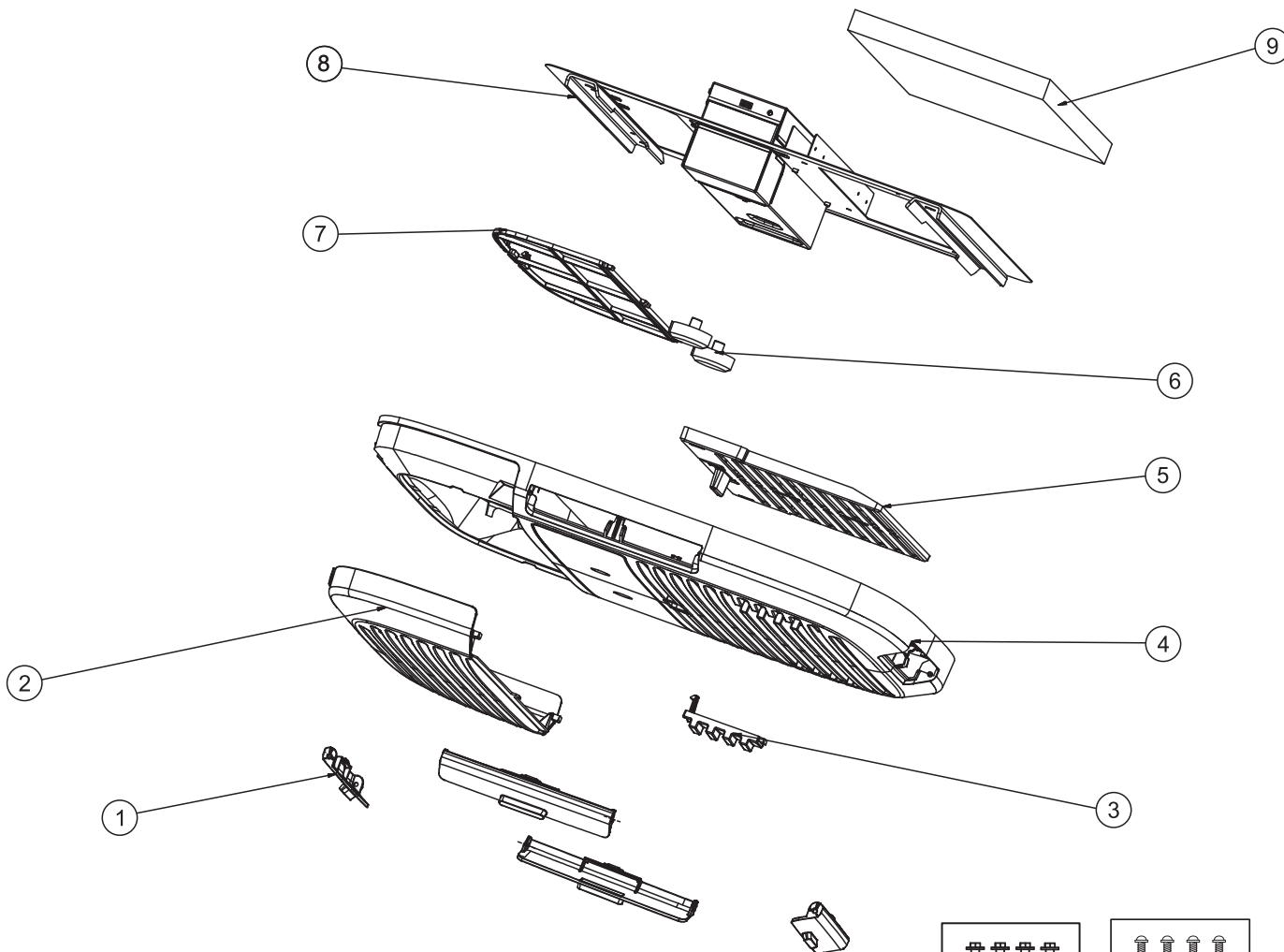
Tenga cuidado con los bordes afilados, ya que pueden causar lesiones. Al levantar el aire acondicionado, use 2 personas para levantarlo.

El cableado eléctrico puede estar presente entre el techo y el techo. Asegúrese de que la alimentación esté desconectada de la red eléctrica y la batería. Asegúrese de que el suministro de gas esté cerrado. De lo contrario, puede sufrir lesiones o la muerte.

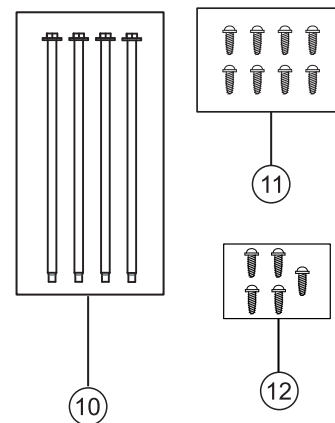
			Unités Intérieures					Tamaño del interruptor	
			RPRED	RPREN	RGRED	RGREN	RGRMN	MCA	MOP
Unidades de Interior	Altura estándar	GRCS13XHH_					✓	15A	20A
		GRHS13XHH_					X		
		GRCS13XAH_	✓	✓	✓	✓	✓	20A	
		GRHS13XAH_					X		
		GRCS15XAH_					✓		
		GRHS15XAH_					X		
	Perfil bajo	PLCS13XHH_					✓	15A	
		PLHS13XHH_					X		
		PLCS13XAH_	✓	✓	✓	✓	✓	20A	
		PLHS13XAH_					X		
		PLCS15XAH_					✓		
		PLHS15XAH_					X		

# Vista Expandida

RGRMN

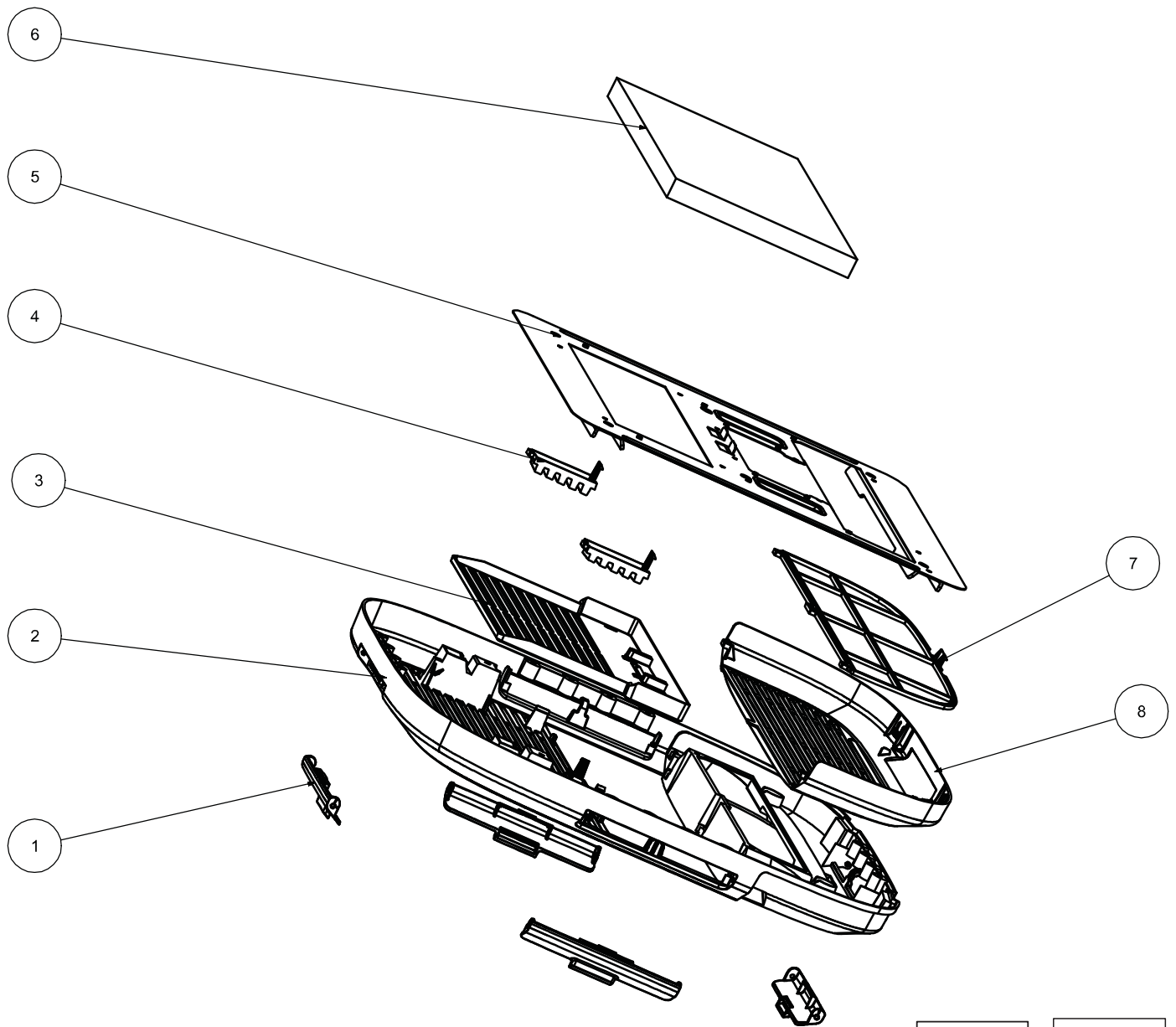


Número	Nombre de parte	Cantidad
1	Rejilla de Descarga de Aire	4
2	Tapa del Filtro	1
3	Tapa del Tornillo	2
4	Panel de techo	1
5	Guía de Descarga Directa de Aire	1
6	Botón	2
7	Filtro	1
8	Plantilla de montaje	1
9	Deflector de división aérea	1
10	Pernos de montaje M8	4
11	Tornillos para madera	8
12	Tornillos de chapa	5

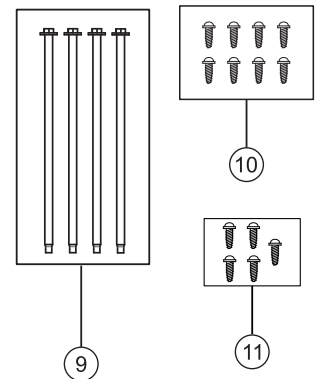


# Vista Expandida

RGREN

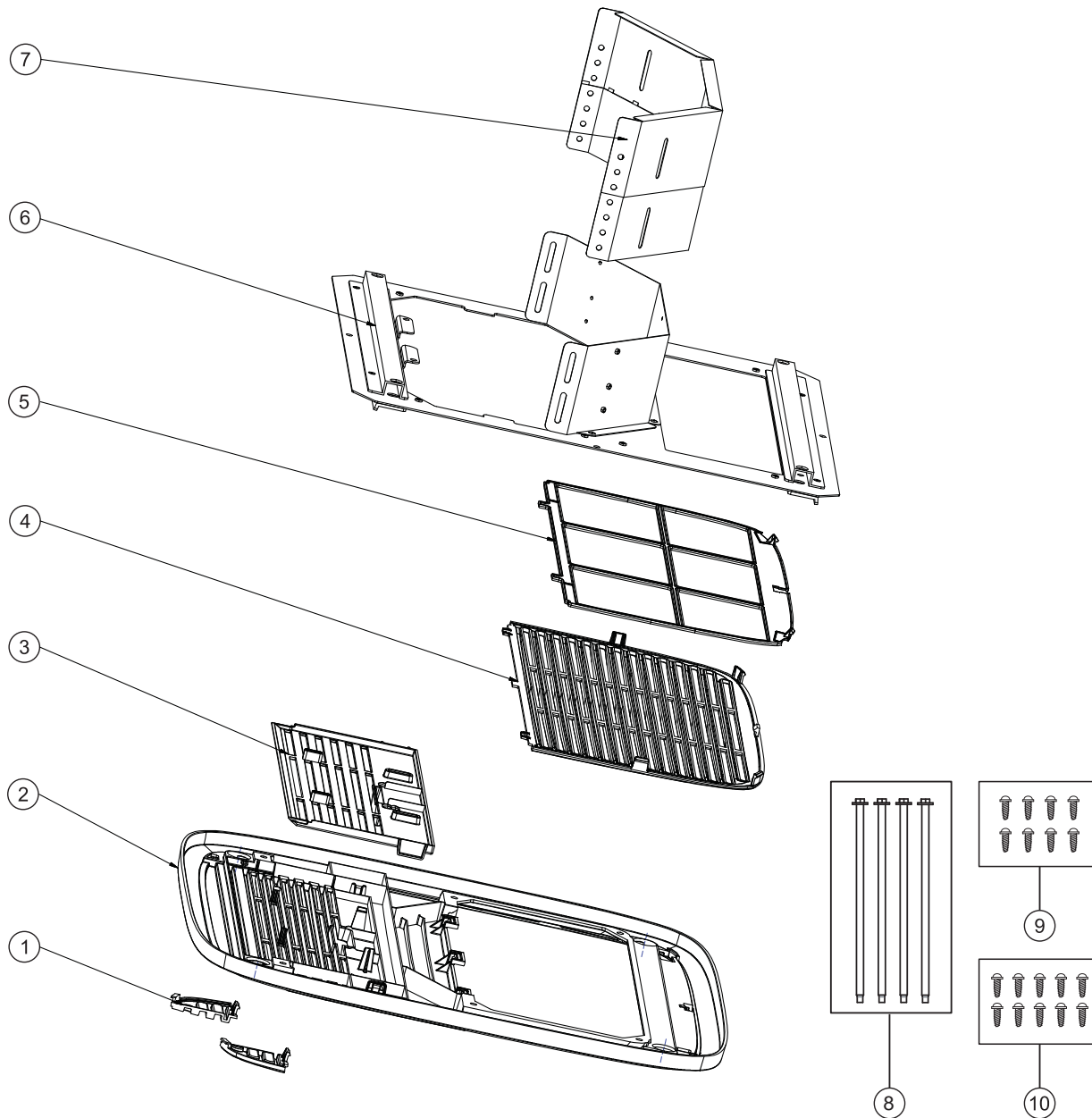


Número	Nombre de parte	Cantidad
1	Rejilla de Descarga de Aire	4
2	Panel de techo	1
3	Tapa del Filtro	1
4	Filtro	1
5	Plantilla de montaje	1
6	Deflector de división aérea	1
7	Tapa del Tornillo	2
8	Guía de Descarga Directa de Aire	1
9	Pernos de montaje M8	4
10	Tornillos para madera	8
11	Tornillos de chapa	5



# Vista Expandida

RGRED

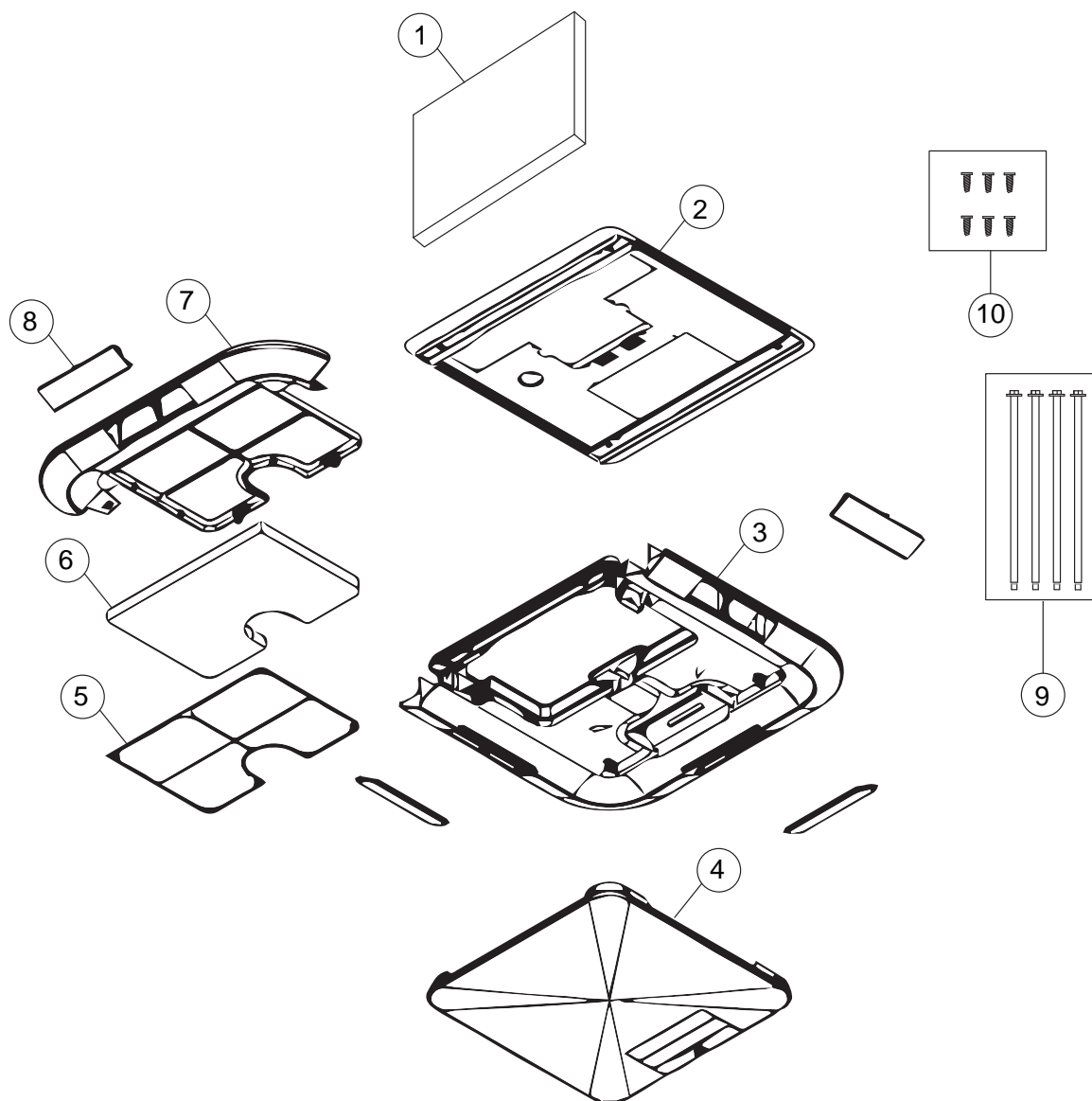


Número	Nombre de parte	Cantidad
1	Tapa del Tornillo	2
2	Panel de techo	1
3	Guía de Descarga Directa de Aire	1
4	Tapa del Filtro	1
5	Sujetador del Filtro + Filtro	1
6	Plantilla de montaje	1
7	Deflector de división aérea	1
8	Pernos de montaje M8	4
9	Tornillos para madera	8
10	Tornillos de chapa	9

# Vista Expandida

RPREN\_ \_-Electrónica Sin Conducto

Verifique el contenido de los accesorios suministrados con su aire acondicionado como se muestra a continuación:



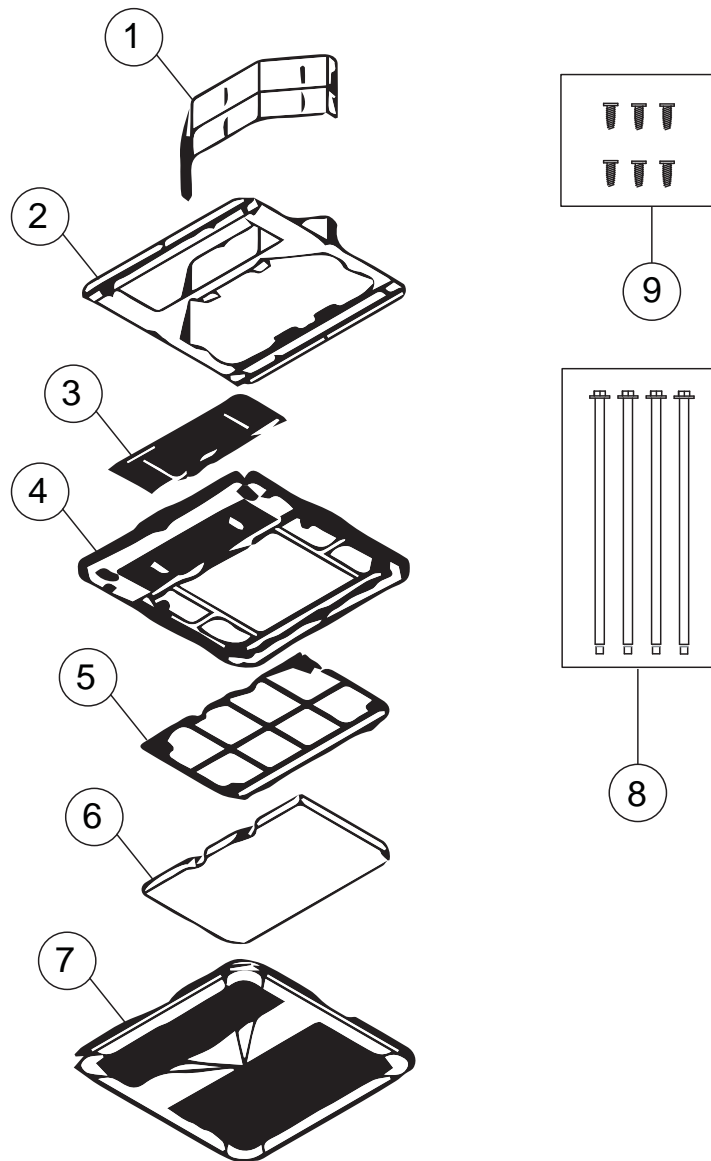
Número	Nombre de parte	Cantidad
1	Deflector de división aérea	1
2	Plantilla de montaje	1
3	Base del Panel del Cieloraso	1
4	Tapa del Panel del Cieloraso	1
5	Sujetador del Filtro	1
6	Filtro	1
7	Bandeja del Filtro	1
8	Rejilla de Descarga Lateral	4
9	Pernos de montaje M8	4
10	Tornillos de chapa	6



# Vista Expandida

## RPRED\_ \_-Electrónica Con Conducto

Verifique el contenido de los accesorios suministrados con su aire acondicionado como se muestra a continuación:



Número	Nombre de parte	Cantidad
1	Deflector de división aérea	1
2	Plantilla de montaje	1
3	Guía de Descarga Directa	1
4	Base del Panel del Cielorraso	1
5	Sujetador del Filtro	1
6	Filtro	1
7	Tapa del Panel del Cieloraso	1
8	Pernos de montaje M8	4
9	Tornillos de chapa	9

# Instrucciones de instalación

## ⚠️ ADVERTENCIA RIESGO DE DESCARGA ELÉCTRICA

Se podrá producir la muerte o daños graves como resultado de no seguir estas instrucciones.

- Desconecte el suministro de corriente de 120 VAC antes de iniciar la instalación y/o el servicio técnico.
- Asegúrese de que el producto se encuentre correctamente conectado a tierra, de acuerdo con los códigos aplicables.
- Reemplace todas las piezas y paneles antes del uso.

### A. REQUISITOS PARA INSTALACIONES EN TECHOS Y DETERMINACIÓN DE LA UBICACIÓN DE LA INSTALACIÓN

- Los acondicionadores cubiertos en este manual fueron diseñados para su instalación en techos de vehículos recreativos
- La instalación de este acondicionador de aire deberá ser realizada de acuerdo con NFPA 1192 y NFPA 70.
- Para una correcta instalación, se deberá contar con una abertura cuadrada de  $14 \frac{3}{8}$ " x  $14 \frac{3}{8}$ " (+ $1/4$ ") en el techo y en el cielorraso del vehículo recreativo.
- Deberá haber un espacio de entre 2" y 6" entre el cielorraso del vehículo recreativo (RV) y el techo para acomodar nuestro deflector de división de aire.
- Los acondicionadores de aire cubiertos en este manual cuentan con un diseño que se adapta a aberturas de ventilación de techos ya existentes. Si no se cuenta con una abertura de ventilación de techo disponible, utilice las siguientes pautas:
- La unidad deberá ser instalada de forma centrada entre un lado y otro del techo del vehículo recreativo.
- La unidad deberá ser instalada en una sección del techo donde se encuentre nivelada con respecto al techo del vehículo recreativo, si éste se encuentra en una superficie plana y nivelada.
- El techo en el punto de instalación podrá tener un ángulo de inclinación máximo de 15° hacia el frente o la parte trasera del vehículo recreativo.

- Figura 1: Unidad Exterior de GE Appliances
- Figura 2: Unidad Exterior de GE Profile
- Figura 3: Unidad Interior Sin Conducto de GE Appliances (RGRMN)
- Figura 4: Unidad Interior Con Conducto de GE Appliances (RGRED)
- Figura 5: Unidad Interior Sin Conducto de GE Profile (RPREN)
- Figura 6: Unidad Interior CON Conducto de GE Profile (RPRED)

Figura 1: Unidad Exterior de GE Appliances:

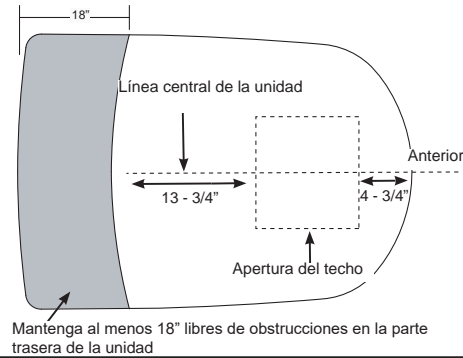
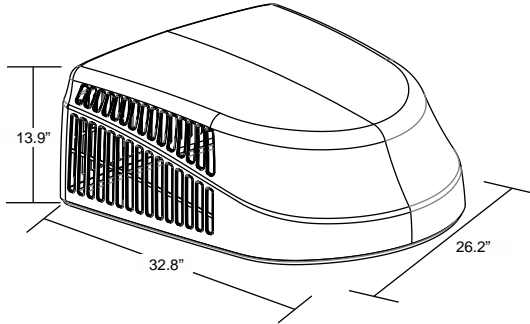
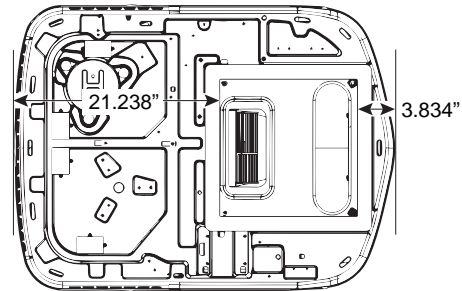
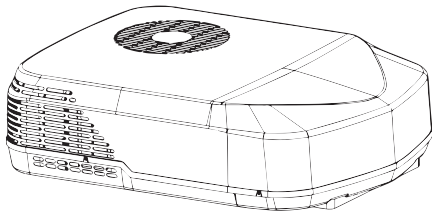
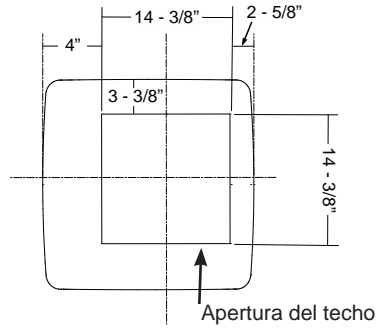
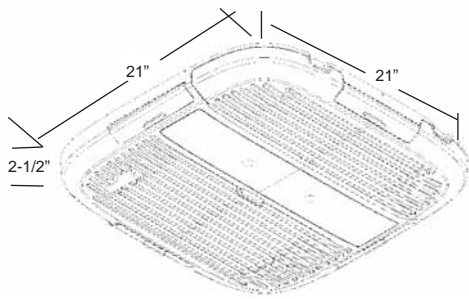


Figura 2: Unidad Exterior de GE Profile:

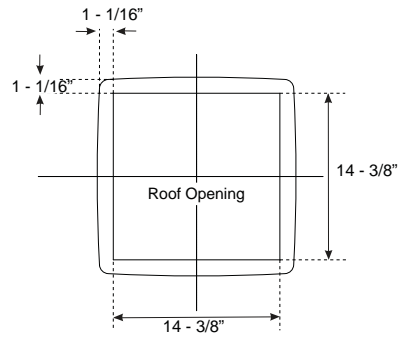
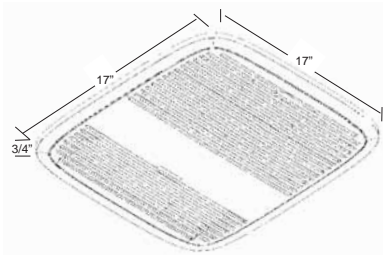


# Instrucciones de instalación

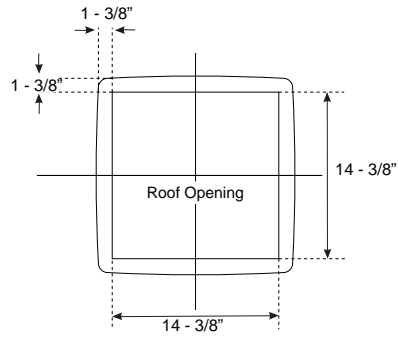
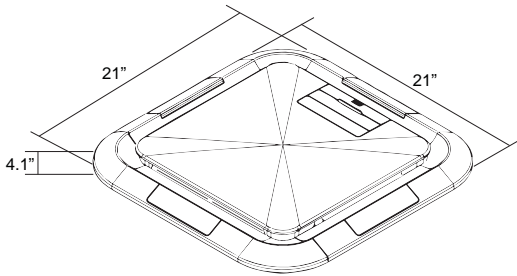
**Figura 3: Unidad Interior Sin Conducto de GE Appliances:**



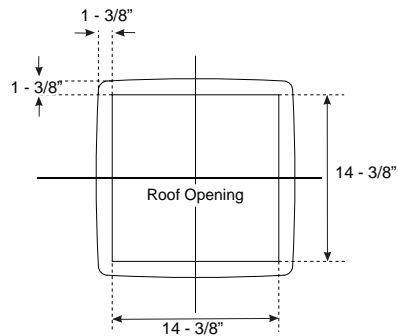
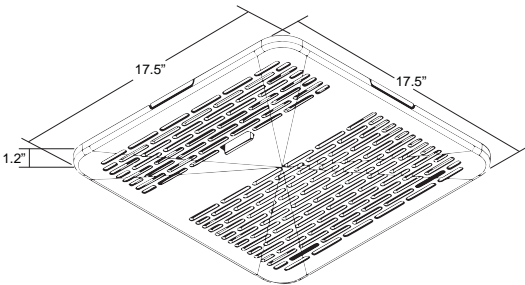
**Figura 4: Unidad Interior Con Conducto de GE Appliances:**



**Figura 5: Unidad Interior Sin Conducto de GE Profile**



**Figura 6: Unidad Interior CON Conducto de GE Profile**



# Instrucciones de instalación

## B. REQUISITOS Y PREPARACIÓN DEL TECHO

Si se usará una abertura de ventilación del techo ya existente:

1. Destornille y retire la ventilación del techo del vehículo recreativo.
2. Selle todos los agujeros y juntas con un sellador resistente al clima.
3. Mida el ancho y la longitud de la abertura de la ventilación. Su tamaño deberá ser modificado.

Si no se usará una abertura ya existente, se deberá realizar una nueva abertura a través del techo y del cielorraso del vehículo recreativo.

1. Esta abertura DEBERÁ estar entre los miembros estructurales del techo.
2. NO corte los miembros estructurales del techo para crear la abertura para este acondicionador de aire. Hacer esto podrá ocasionar daños sobre el vehículo recreativo y el acondicionador de aire.
3. NO cree un punto bajo sobre el techo del vehículo recreativo. Se podrá acumular agua y gotear a través de la abertura.

La abertura cuadrada se deberá encerrar con un marco de un grosor mínimo de  $\frac{3}{4}$ ", a fin de resistir la carga de los tornillos de compresión.

Asegúrese de brindar un agujero de acceso para el cableado del vehículo recreativo hacia el frente de la abertura de  $14 \frac{3}{8}$ " x  $14 \frac{3}{8}$ ".

El techo y la estructura del vehículo recreativo en el punto de instalación deberán ser lo suficientemente fuertes como para soportar el acondicionador de aire sin ningún tipo de desviación. Una desviación hará que el agua se acumule en la junta del acondicionador de aire, lo cual podrá ocasionar goteos.

## C. REQUISITOS ELÉCTRICOS

Estos modelos requieren un tomacorriente de 115V y 60 Hz protegido con un fusible de retraso de 20 amperes o un disyuntor.

Use un mínimo de cable de cobre de 12 AWG enfundado, sin conexión a tierra.

Asegúrese de pasar el cable de suministro de 16" a través del marco. Esto asegurará que haya suficiente cable disponible para una conexión fácil de la caja de empalmes.

## D. COLOCACIÓN DE LA UNIDAD EN EL TECHO

**⚠ PRECAUCIÓN RIESGO AL LEVANTAR**  
Asegúrese de que se utilicen métodos y controles al levantar la unidad hasta el techo del vehículo recreativo. Si no se cumple con esto, se podrán producir lesiones.

1. Retire la unidad del embalaje y elimine el mismo.
2. No deslice la unidad sobre su junta de montaje. Cualquier daño sobre la junta podrá generar goteos. Contando con dos personas, levante la unidad y coloque la misma sobre la unidad preparada. El frente de la unidad deberá mirar en la dirección hacia la cual el vehículo recreativo viaja. Si no se siguen estas instrucciones, se podrán producir daños sobre el ventilador del condensador y la bobina.

**⚠ ADVERTENCIA** Es importante leer y entender estas instrucciones de instalación antes de la instalación y el uso.

Si la unidad no se instala de forma segura en el vehículo recreativo antes de mover este último, se podrán producir lesiones personales o la muerte.

No utilice la unidad ni el vehículo recreativo hasta que la unidad se encuentre completamente asegurada en el techo.

3. Traiga el ensamble del cielorraso con todos los materiales de montaje provistos al vehículo recreativo. Si usará un ensamble interior Todo el trabajo en el exterior del vehículo recreativo está ahora completo.

### NOTA:

Para las siguientes instalaciones de ensambles interiores, proceda a la sección correspondiente:

RGRMN: Sección E1, página 13

RGREN: Sección E1, página 13

RPREN: Sección E1, página 13

RGRED: Sección F, página 15

RPRED: Sección F, página 15

## MONTAJE VERTICAL

1. Incline la unidad hacia arriba y posicione el deflector de modo tal que separe la circulación de aire de entrada con la de salida sin que haya interferencia con el conducto en la abertura del techo. Luego, vuelva a instalar la unidad manteniendo la posición de referencia en la Sección A.
2. Retire la carcasa exterior desenroscando los 4 tornillos alrededor del perímetro de la unidad y deje la misma a un costado.
3. Retire la tapa del polipropileno expandido (EPP) y guarde la misma con la tapa de la carcasa. Haga circular los cables de suministro de corriente de 115VAC y 12VDC, así como también el cableado del termostato del vehículo recreativo, desde la abertura del techo del vehículo recreativo y través de la abertura de la entrada de aire oval en el frente de la charola de la base del acondicionador de aire.
4. Identifique las áreas dentadas de la pieza inferior de la Tapa del polipropileno expandido (EPP). Estas 4 ubicaciones se encuentran donde se deben colocar los tirafondos para asegurar el acondicionador de aire al techo del vehículo recreativo.
5. Si realizará el montaje en una estructura de madera, use tirafondos con calificación para madera y rote hasta 35+/- libras pulgadas. Si realizará el montaje en una estructura de aluminio, use tirafondos con calificación para metal y rote hasta 35+/- libras pulgadas.
6. Consulte el Manual de Control de Uso y Cuidado para conectar la corriente, termistores, y un termostato a su control.
7. Con el control cerrado y ajustado de forma segura, deslice el mismo en el soporte de montaje sobre el frente de la unidad. Las lengüetas que sobresalen desde el lateral del control se deberán deslizar en la cavidad del soporte.
8. Use 2 de los tornillos para plancha metálica provistos con el control para asegurar este último al soporte a través de las lengüetas que sobresalen.
9. Vuelva a instalar la tapa del polipropileno expandido (EPP), asegurando una alineación adecuada con la base del polipropileno expandido (EPP). No hacer esto producirá como resultado un rendimiento inferior del acondicionador de aire.
10. Vuelva a instalar la carcasa exterior, colocando los 4 tornillos retirados en el paso 2.
11. Usted instaló la unidad de forma exitosa.

# Instrucciones de instalación

## E1. INSTALACIÓN SIN CONDUCTO (RGRMN, RGREN, & RPREN)

1. Desde dentro del vehículo recreativo, realice un control doble del posicionamiento y alineación de la junta sobre la abertura del techo. De ser necesario, realice ajustes. El acondicionador de aire podrá ser movido y ajustado empujando hacia arriba desde dentro del vehículo recreativo.
2. Alcance la bandeja de la base y tire del cable de corriente eléctrica desde el acondicionador de aire a través de la abertura del cielorraso.
3. Mida el grosor entre el cielorraso y el techo.
4. Corte las filas desde la parte inferior del separador de gomaespuma, de acuerdo con la siguiente tabla:

Grosor del cielorraso hasta el techo		Filas a cortar
Mínimo	Máximo	
2	2.5	10
2.5	3	8
3.5	4	6
4.5	5	4
5	5.5	2
5.5	6	0

### Mejor Procedimiento:

Corte una fila por vez, y controle la posición del separador en la instalación. Con la gomaespuma superior comprimida sobre la bandeja de la base del acondicionador de aire, la parte inferior de la fila deberá estar nivelada con la abertura del cielorraso.

5. Coloque el deflector de gomaespuma en la posición que se encuentra entre las 2 placas de sujeción.
6. Presione la plantilla de montaje dentro de la abertura del techo, y comience a enroscar de forma manual cada uno de los 4 pernos de montaje a través de las tuercas de la bandeja de la base.
7. Apriete los 4 pernos de manera uniforme a  $35 \pm 5$  pulgadas libras con una llave dinamométrica de al menos 0-60 pulgadas-libras. Incluso se requiere compresión para evitar fugas a través de la junta.

### ALTO!

Para el modelo RGRMN vaya a la sección E2 – Cableado Mecánico Sin Conducto

Para los modelos RGREN y RPREN vaya a la sección E3 – Cableado Electrónico Sin Conducto

## E1. INSTALACIÓN SIN CONDUCTO (RGRMN, RGREN, & RPREN)

### (cont.)

8. Asegure el panel del cielorraso a la plantilla de montaje usando 2 tornillos para plancha metálica sobre los 2 agujeros de la cavidad del filtro. El filtro deberá ser retirado para instalar los tornillos.
9. Aplicando fuerza sobre el centro del panel del cielorraso, conduzca los dos tornillos de madera por los agujeros debajo de la rejilla ubicada en la posición más cercana a la guía de descarga directa. Los puertos de descarga lateral se deberán retirar para permitir el acceso a los agujeros de montaje.
10. Coloque los 6 tornillos de madera restantes ubicados debajo de los puertos de descarga lateral. Acceda a los agujeros de montaje a través del método que aparece en el paso anterior.
11. Vuelva a instalar el filtro.
12. La instalación está completa. Consulte la sección de "Controles" en la página 17 antes de intentar utilizar el acondicionador de aire.

## E2. INSTALACIÓN MECÁNICA SIN CONDUCTO (RGRMN\_\_)

1. Retire la tapa del conector de 4 y 3 pernos del ensamble del cielorraso retirando los 2 tornillos.
2. Enchufe el cable con el conector de 3 y 4 pernos en los respectivos receptáculos sobre la plantilla de montaje.
3. Vuelva a instalar la tapa del conector de 3 y 4 pernos, conduciendo el cable a través de la abertura con forma de U y teniendo cuidado de no pellizcar los cables.
4. Desinstale la tapa de la caja de empalmes retirando los 2 tornillos.
5. Conduzca el cable de suministro de corriente de 115 VAC a través del aliviador de tensión de 2 tornillos del ensamble del cielorraso. Luego, ajuste el aliviador de tensión, asegurándose de no dañar los cables.
6. Utilizando los conectores de cables adecuados para el calibre de los cables, conecte la línea al negro, el neutro al blanco, y el cable a tierra al verde.
7. Utilizando cinta aisladora, asegure los conectores para evitar cualquier posible movimiento debido a vibraciones del vehículo. Si se usan tuercas para cables, asegúrese de aplicar la cinta en la dirección en que se ajustó la tuerca, a fin de que la conexión no se afloje de forma no intencional.
8. Posicione los cables y conexiones del suministro de corriente dentro de la caja de empalmes, y vuelva a instalar la tapa de la caja de empalmes.
9. Alinee el panel plástico del cielorraso con la plantilla de montaje, usando los postes de la perilla de control como guías.
10. Instale las 2 perillas de control, asegurando que el contorno con forma en D esté correctamente alineado con los postes.
11. Proceda al paso 8 de la Sección E1.

## E3. INSTALACIÓN ELECTRÓNICA SIN CONDUCTO (RGREN\_\_ & RPREN\_\_)

1. Desinstale la placa ciega de la plantilla de montaje retirando los 3 tornillos.
2. Monte la caja de control principal (RGREC\_A) a la plantilla de montaje usando 2 tornillos.
3. Retire los 3 tornillos de la base de la caja de control principal, permitiendo que la base se abra sobre sus bisagras. El tablero de control está ahora visible y accesible.
4. Conduzca el cable de corriente de 115 VAC a través del amortiguador de refuerzo de la caja de control. Luego, ajuste el aliviador de tensión, asegurándose de no dañar los cables.
5. Usando conectores de cables con calificación para el calibre de sus cables, conecte la línea al azul, el neutro al blanco, y tierra al verde/ amarillo.
6. Utilizando cinta aisladora, asegure los conectores para evitar cualquier movimiento posible debido a vibraciones del vehículo. Si se usan tuercas para cables, asegúrese de colocar la cinta en la dirección en que se ajustó la tuerca, a fin de que la conexión no se afloje de forma no intencional.

## E3. INSTALACIÓN ELECTRÓNICA SIN CONDUCTO (RGREN\_\_ & RPREN\_\_) (cont.)

7. Conduzca los conectores de 3 y 4 pernos desde la unidad exterior a través de la abertura con forma de U en la caja de control. Haga coincidir estos conectores con sus enchufes correspondientes en el tablero de control.
8. Conecte el cable de suministro de corriente de 12VDC y el cable a tierra proveniente del vehículo recreativo a las terminales del conector de 2 pernos extraíbles de «12V» y «GND» (Tierra) respectivamente. Consulte el manual de Uso y Cuidado del control para conectar su control específico al termostato de pared.
9. La unidad cuenta con 2 termistores preinstalados en la unidad del acondicionador de aire, los cuales se deberán conectar al tablero del control principal. El sensor de congelación de la bobina interior es un conector de 2 pernos que se debe enchufar en la terminal T2 del tablero de control, y el sensor de temperatura de salida del aire interior es un conector de 3 pernos que se debe enchufar a un conector T3 en el tablero de control principal. Los modelos con bomba de calor cuentan con un conector de 4 pernos que contiene un termistor con bobina exterior y un termistor de temperatura ambiente exterior – éste se debe conectar a la terminal T4/T5 del tablero de control principal. No realizar estas conexiones específicas producirá códigos de falla y esto podrá hacer que la unidad no funcione.
10. Si está utilizando el sensor para sala RGRES1A con la unidad del acondicionador de aire, deberá conectar el sensor al tablero de control principal a través de la terminal de 2 pernos extraíble con la etiqueta «LS».
11. **OPCIONAL:** Si desea que la unidad del acondicionador de aire esté conectada al sistema de desbordamiento de carga de su vehículo recreativo (no incluido en todos los vehículos recreativos), será necesario conectar el sistema de desbordamiento de carga al tablero de control principal. Si usará un control RGREC1A, conecte el sistema de desbordamiento de carga a través del conector de 2 pernos extraíble con la etiqueta «LS». Si usará un control RGREC2A, conecte el sistema de desbordamiento de carga a través de la terminal en el conector de 8 pernos extraíble con la etiqueta «LS».
12. **OPCIONAL:** Si cuenta con un horno que desee controlar a través del termostato, conecte el horno a las dos terminales con la etiqueta «FUR» en el conector de 4 pernos extraíble. Consulte el manual del propietario de su horno.
13. **OPCIONAL:** Todos los controles cuentan con la opción de funcionalidad de inicio con generador automático. Si desea activar esta función, conecte el generador a las dos terminales con la etiqueta «GEN» del conector de 4 pernos extraíble.
14. Manteniendo todas las conexiones dentro de la caja de control, conduzca los cables a través de la abertura con forma de U sobre el lateral. Luego, teniendo cuidado de no pellizcar/ romper ningún cable, gire la base de la caja de control principal hacia arriba y vuelva a instalar los 3 tornillos retirados en el Paso 3 para sellar la caja de control.

# Instrucciones de instalación

## E3. INSTALACIÓN ELECTRÓNICA SIN CONDUCTO (RGREN\_\_ & RPREN\_\_) (cont.)

15. Instale la placa de la tapa utilizando los 3 tornillos adheridos a la plantilla de montaje y los 2 tornillos que se adhieren a la caja de control principal.
16. Para el modelo RAREN, proceda al paso 9 de la Sección E1. Para el modelo RAREN, proceda al paso 16 de la Sección E3.
17. Asegure la base del panel del cielorraso a la plantilla de montaje usando 4 tornillos para plancha metálica.
18. Instale el filtro y el sujetador del filtro en la bandeja del filtro.
19. Alinee la bandeja del filtro con las ranuras correspondientes en la base del panel del cielorraso, y deslice la bandeja del filtro en su posición.
20. Usando las funciones de guía con relieve sobre la base del panel del cielorraso, instale la tapa del panel del cielorraso.
21. La instalación está completa. Consulte las instrucciones de funcionamiento del cielorraso antes de iniciar el uso.

## F. INSTALACIÓN ELECTRÓNICA SIN CONDUCTO (RGRED & RPRED)

1. Desde dentro del vehículo recreativo, realice un control doble del posicionamiento y alineación de la junta sobre la abertura del techo. De ser necesario, realice ajustes. El acondicionador de aire podrá ser movido y ajustado empujando hacia arriba desde dentro del vehículo recreativo.
2. Alcance la bandeja de la base y tire del cable de corriente eléctrica desde el acondicionador de aire a través de la abertura del cielorraso.
3. Empuje la plantilla de montaje del cielorraso dentro de la abertura del techo, y comience a enroscar manualmente cada uno de los 4 tornillos de montaje a través de las tuercas de la bandeja de la base.
4. Ajuste los 4 tornillos de forma pareja hasta las  $35 \pm 5$  libras, usando una torsión mínima de 0-60 pulgadas/libra. Se requiere una compresión pareja a fin de evitar goteos a través de la junta.
5. Coloque el separador en su posición sobre el ensamble del cielorraso. Asegúrese de que el separador sea presionado contra la bandeja de la base, formando un sellado hermético.
6. Monte el separador sobre la plantilla de montaje usando tres tornillos.
7. Monte el separador sobre el tablón del marco usando dos tornillos, y creando un sellado hermético. Para cielorrasos adicionales, use cinta de aluminio para sellar posibles pérdidas entre el marco de madera y el deflector.
8. Monte la caja de control principal (RGREC\_\_) sobre la plantilla de montaje usando cuatro tornillos.

## F. INSTALACIÓN ELECTRÓNICA SIN CONDUCTO (RGREN& RPRED) (cont.)

9. Retire los tres tornillos de la caja de control principal, permitiendo que la sección inferior se abra girando sobre la bisagra. El tablero de control está ahora visible y accesible.
10. Dirija el cable de corriente de 115 VAC a través del amortiguador de refuerzo de la caja de control. Ajuste el amortiguador de refuerzo, asegurándose de no dañar los cables.
11. Usando conectores de cables con calificación para el calibre de sus cables, conecte la línea al azul, el neutro al blanco, y tierra al verde/ amarillo.
12. Usando cinta aisladora, asegure los conectores a fin de evitar cualquier movimiento posible debido a una vibración del vehículo.
13. Conduzca los conectores de 3 y 4 pernos desde la unidad exterior a través de la abertura con forma de U en la caja de control. Haga coincidir estos conectores con sus enchufes correspondientes en el tablero de control.
14. Conecte el cable de suministro de corriente de 12VDC y el cable a tierra proveniente del vehículo recreativo a las terminales del conector de 2 pernos extraíbles de «12V» y «GND» (Tierra) respectivamente. Consulte el manual de Uso y Cuidado del control para conectar su control específico al termostato de pared.
15. La unidad cuenta con 2 termistores preinstalados en la unidad del acondicionador de aire, los cuales se deberán conectar al tablero del control principal. El sensor de congelación de la bobina interior es un conector de 2 pernos que se debe enchufar en la terminal T2 del tablero de control, y el sensor de temperatura de salida de aire interior es un conector de 3 pernos que se debe enchufar a un conector T3 en el tablero de control principal. Los modelos con bomba de calor cuentan con un conector de 4 pernos que contiene un termistor de temperatura con bobina exterior y un termistor de temperatura ambiente exterior – éste se debe conectar a la terminal T4/T5 del tablero de control principal. No realizar estas conexiones específicas producirá códigos de falla y esto podrá producir la pérdida del funcionamiento de la unidad.

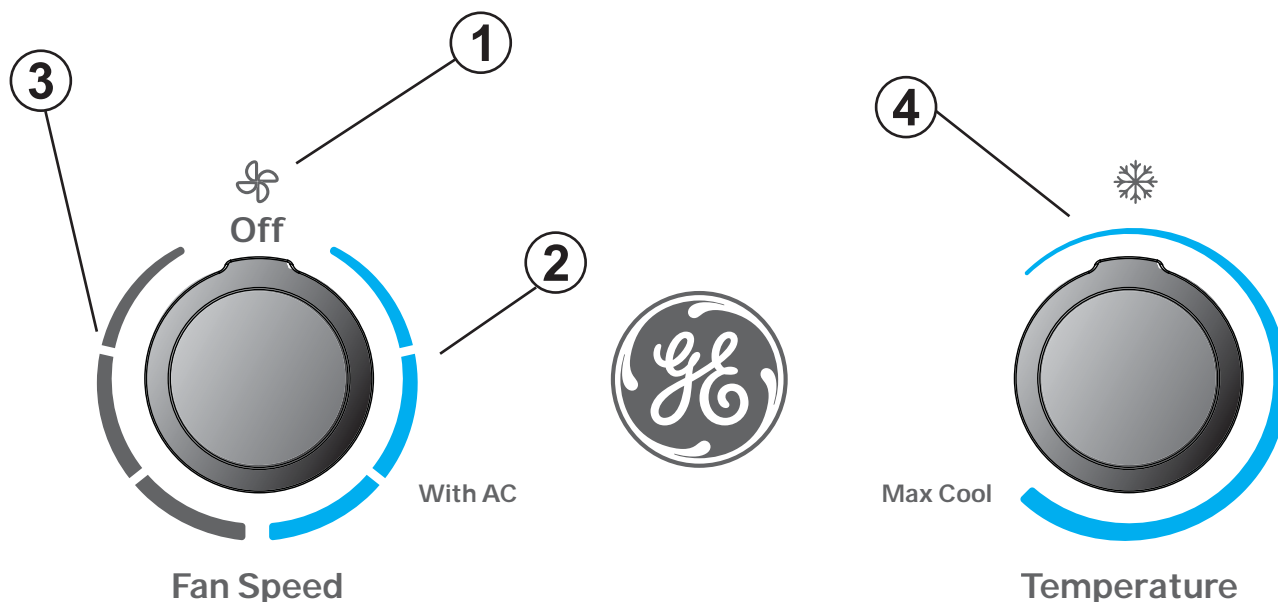


## F. INSTALACIÓN ELECTRÓNICA SIN CONDUCTO (RGRED & RPRED) (cont.)

16. Si está utilizando el sensor para sala RGRES1A con la unidad del acondicionador de aire, deberá conectar el sensor al tablero de control principal a través de la terminal de 2 pernos extraíble con la etiqueta "LS".
17. **OPCIONAL:** Si desea que la unidad del acondicionador de aire esté conectada al sistema de desbordamiento de carga de su vehículo recreativo (no incluido en todos los vehículos recreativos), será necesario conectar el sistema de desbordamiento de carga al tablero de control principal. Si usará un control RGREC1A, conecte el sistema de desbordamiento de carga con el conector de 2 pernos extraíble con la etiqueta "LS". Si usará un control RGREC2A, conecte el sistema de desbordamiento de carga con la terminal en el conector de 8 pernos extraíble con la etiqueta "LS".
18. **OPCIONAL:** Si cuenta con un horno que desee controlar a través del termostato, conecte el horno a las dos terminales con la etiqueta "FUR" en el conector de 4 pernos extraíble. Consulte el manual del propietario de su horno.
19. Manteniendo todas las conexiones dentro de la caja de control, conduzca los cables a través de la abertura con forma de U sobre el lateral. Luego, teniendo cuidado de no pellizcar/ romper ningún cable, gire la base de la caja de control principal hacia arriba y vuelva a instalar los 3 tornillos retirados en el Paso 9 para sellar la caja de control.
20. Para el modelo RGRED, alinee el panel plástico del cielorraso con la placa de montaje. Para el modelo RPRED, alinee la base del panel del cielorraso con la plantilla de montaje.
21. Usando los 6 tornillos metálicos provistos, asegure el panel del cielorraso o la base del panel del cielorraso a la plantilla de montaje. El filtro y la tapa del filtro deberán ser retirados para instalar estos tornillos.
22. Para el RGED, instale el filtro y la tapa del filtro presionando la lengüeta individual sobre el centro de la tapa del filtro y calce la misma en la cavidad del filtro. Luego instale la tapa con tornillo izquierdo y derecho, insertando los mismos en sus respectivas cavidades.
23. Para el modelo RPRED, instale el sujetador del filtro con el filtro en la base del panel del cielorraso, deslizando el mismo debajo de las dos solapas de la base del panel del cielorraso y luego rotando el mismo hacia abajo. Luego alinee la tapa del panel del cielorraso a través de la perilla deslizable y presione hacia arriba en la dirección del cielorraso para calzar la tapa del panel del cielorraso sobre su posición.
24. La instalación está completa. Consulte las instrucciones de funcionamiento del cielorraso antes de iniciar el uso.
25. **OPCIONAL:** Todos los controles cuentan con la opción de funcionalidad de inicio con generador automático. Si desea activar esta función, conecte el generador a las dos terminales con la etiqueta "GEN" del conector de 4 pernos extraíble.

# Controles

Las funciones y la apariencia podrán variar.



## Controles del Acondicionador de Aire

### Controles

#### 1. Apagado

El acondicionador de aire está en la posición de apagado.

#### 2. Modos del Acondicionador de Aire

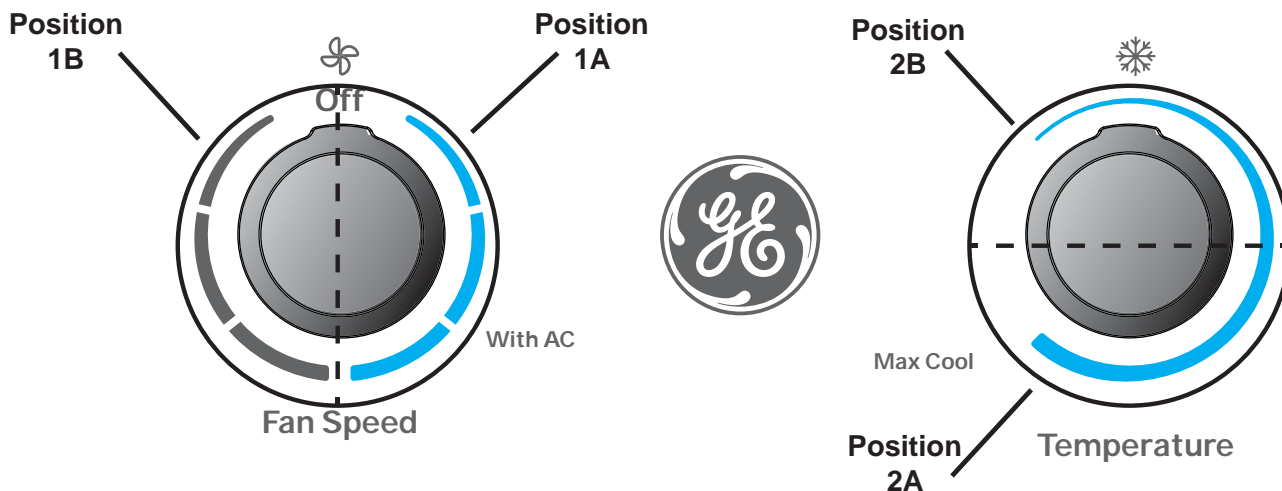
En estas posiciones, el compresor y los ventiladores funcionarán para brindar aire fresco. Los tres modos corresponden a las velocidades baja, media y alta del ventilador.

#### 3. Modo de Sólo Ventilador

En estos modos, los ventiladores hacen circular aire en el vehículo recreativo. Los tres modos corresponden a las velocidades baja, media y alta del ventilador.

#### 4. Selección de Temperatura

Esta perilla determina el punto de configuración de temperatura de la sala. Gire esta perilla para incrementar o reducir el nivel de frío del acondicionador de aire en la sala.



### ⚠ PRECAUCIÓN

A fin de evitar que el disyuntor se active, espere por lo menos 3 minutos para apagar el compresor y volver a encenderlo (es decir: espere 3 minutos antes de mover el dial desde la posición 1A a 1B y nuevamente a 1A, o para pasar de la posición 2A a 2B y nuevamente a 2A (se muestra en la imagen superior).

# Uso del Acondicionador de Aire

**IMPORTANTE:**

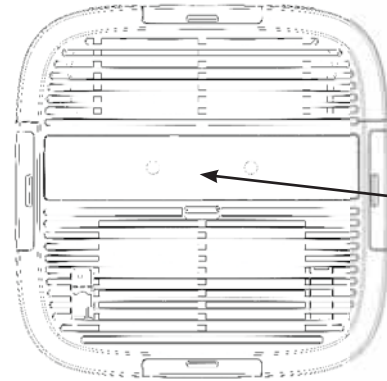
- Al apagar el acondicionador de aire, espere por lo menos 3 minutos antes de volver a encenderlo. Esto evitará que el compresor se sobrecargue. Este retraso de 3 minutos también se aplica cuando se pasa del modo frío a ventilador y a frío nuevamente.
- No utilice el acondicionador de aire en el modo Cool (Frío) cuando la temperatura exterior se encuentre por debajo de los 60°F (15° C). La bobina del evaporador interior se congelará, y el acondicionador de aire no funcionará correctamente.

- A fin de evitar que el disyuntor se active, al ajustar el termostato o las velocidades del ventilador espere 3 minutos entre los ciclos del compresor, a fin de contar con tiempo suficiente para que la presión del refrigerante se nivele.

**Dirección del Aire**

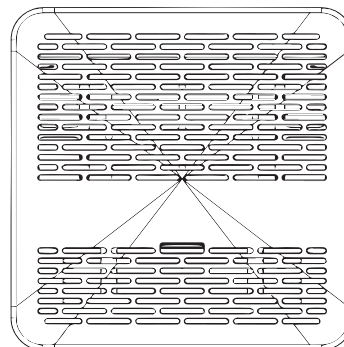
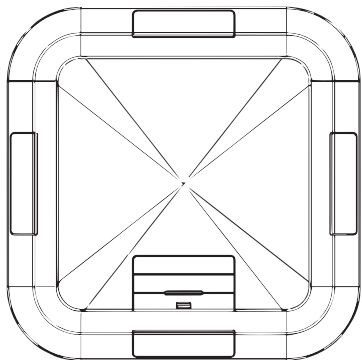
Use la palanca para abrir o cerrar la ventilación sobre la cara del panel de control.

Abra o cierre los 4 puertos laterales para ajustar el flujo de aire proveniente del acondicionador de aire.



La palanca se encuentra ubicada entre las dos perillas.

Vista Frontal



# Sonidos de operación normales

Cuando el aire acondicionado esté funcionando normalmente, es posible que escuche sonidos como los siguientes:

- Gotas de agua que caen sobre el condensador, lo que produce un sonido metálico o un chasquido. Las gotas de agua ayudan a que el condensador se enfríe.
- Movimiento de aire que se origina en el ventilador.
- Chasquidos que se originan por el ciclo del termostato.
- Zumbidos agudos o ruidos palpitantes producidos por el compresor moderno de alta eficiencia, al iniciar y finalizar su ciclo.

# Cuidado y limpieza

## Parrilla y Caja

Apague el acondicionador de aire y retire el enchufe del tomacorriente antes de limpiar.

Para limpiar, use agua y un detergente suave. No use blanqueadores ni abrasivos.

## Filtro de Aire

El filtro de aire se deberá controlar cada 2 semanas y se lo deberá limpiar, de ser necesario.

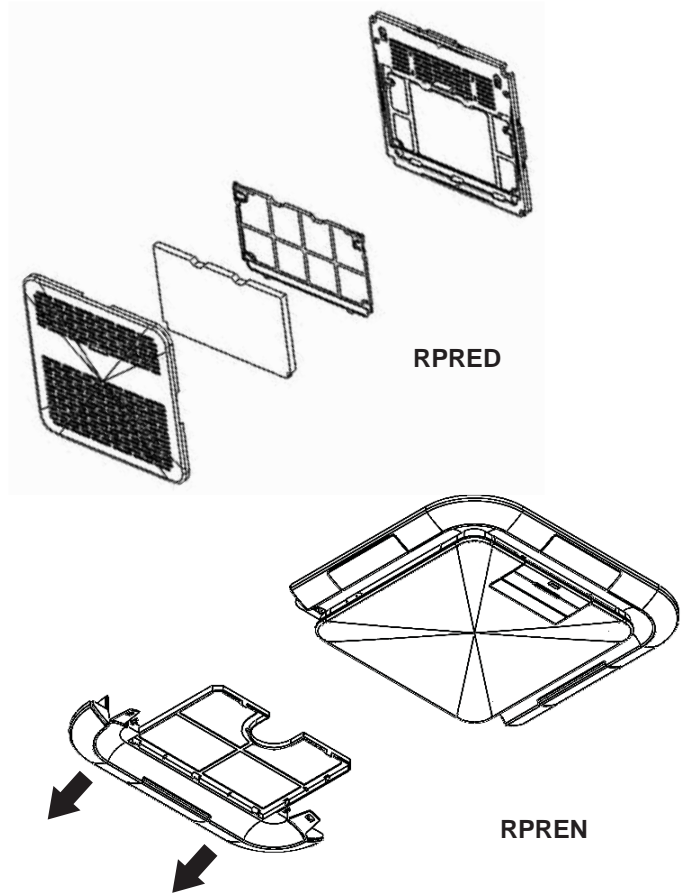
No utilice el acondicionador de aire sin un filtro, ya que la suciedad y las pelusas producirán atascamientos y reducirán su funcionamiento.

### Limpieza del filtro de aire

1. Apague el aire acondicionado.
2. Retire la tapa del filtro de aire de acuerdo con las figuras que aparecen para poder obtener acceso al filtro.
3. Utilice una aspiradora para limpiar el filtro de aire. Si el filtro de aire está muy sucio, lávelo con agua tibia y un detergente suave. No lave el filtro de aire en el lavavajillas ni utilice limpiadores químicos. Déjelo secar al aire completamente antes de volver a colocarlo, a fin de garantizar su máximo rendimiento.
4. Vuelva a colocar el filtro de aire.
5. Cierre el panel frontal.
6. Encienda el aire acondicionado.

**NOTA:** Los ensamblajes RPREN y RPRED utilizan un filtro merv 6, el cual se deberá controlar de forma periódica y mantener libre de polvo.

Presione ambas lengüetas hacia el logo de GE Appliances para liberar la tapa.



## Mantenimiento anual

Su aire acondicionado requiere mantenimiento anual para garantizar un funcionamiento óptimo y estable todo el año.

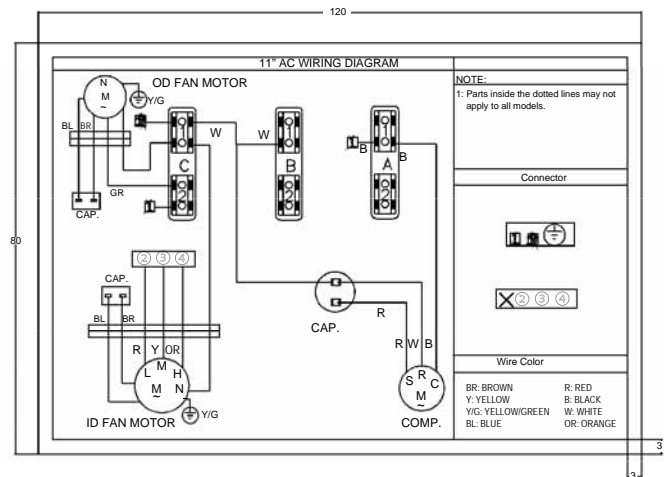
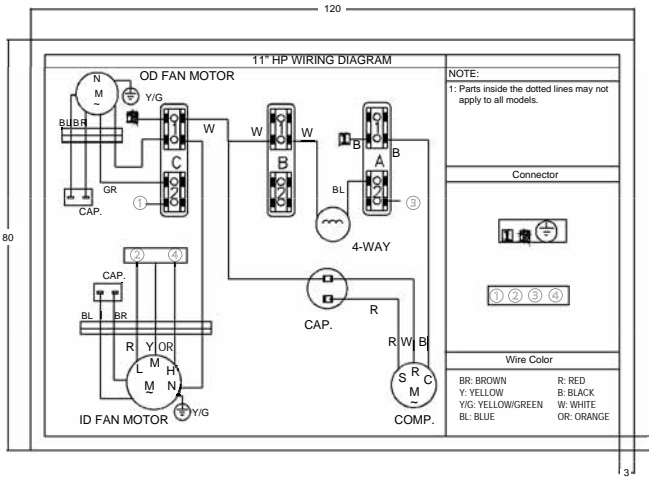
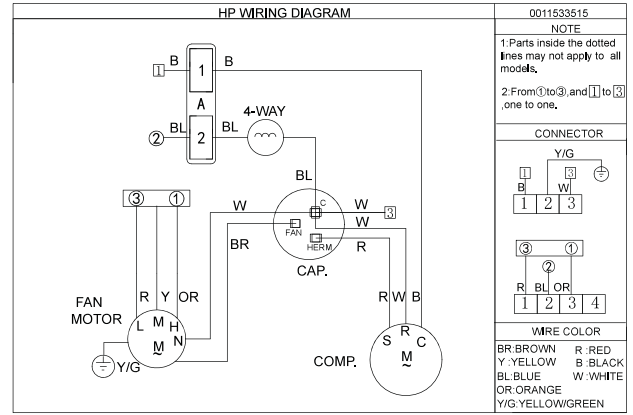
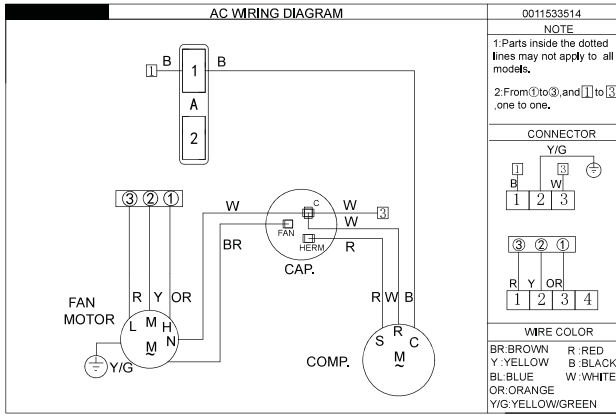
Llame a su distribuidor autorizado local para programar una revisión anual. Usted debe pagar los gastos de la inspección anual.

# Consejos para la Solución de Problemas... Antes de solicitar el servicio técnico

¡Ahorre tiempo y dinero! Primero revise los cuadros que aparecen en las siguientes páginas y es posible que no necesite solicitar reparaciones.

Problema	Causas posibles	Qué hacer
El aire acondicionado no funciona.	El cable de suministro eléctrico se disparó (el botón Reset se elevó).	Oprima y suelte RESET (espere escuchar un clic; el botón Reset se bloqueará y en algunos dispositivos se encenderá una luz verde) para reanudar el funcionamiento.
	El botón POWER no se ha oprimido o la perilla de control de modo está apagada.	Oprima POWER o gire la perilla de control de modo a una configuración activa.
	Hubo una interrupción del suministro eléctrico local.	Espere a que el suministro eléctrico se restablezca.
El aire acondicionado funde fusibles o dispara los interruptores de carga.	Se están utilizando demasiados aparatos en el mismo circuito.	Desenchufe los aparatos que comparten el mismo circuito o cámbielos de lugar.
	Se está utilizando un fusible de retardo o un interruptor de carga de la capacidad incorrecta.	Reemplace el fusible de retardo o el interruptor de carga con uno de la capacidad correcta. Véase "Requisitos eléctricos".
	Está intentando volver a poner en marcha el aire acondicionado demasiado pronto después de haberlo apagado	Espere por lo menos 3 minutos después de apagar el aire acondicionado antes de intentar volver a ponerlo en marcha.
El aire acondicionado parece funcionar demasiado tiempo.	El aire acondicionado actual sustituyó a un modelo más antiguo.	El uso de componentes más eficientes puede provocar que el aire acondicionado funcione más tiempo que el modelo anterior, pero el consumo de energía total será menor. Los modelos más nuevos de aire acondicionado no emiten la "ráfaga" de aire frío a la que usted puede estar acostumbrado debido a los modelos más antiguos de aire acondicionado, pero esto no indica una menor capacidad de enfriamiento o de eficacia. Consulte el índice de eficiencia (Energy Efficiency Rating, EER) y de capacidad (en Btu/h) impresos en el aire acondicionado.
	El aire acondicionado está en una habitación con alta ocupación o en la habitación se están utilizando aparatos que generan calor.	Utilice ventiladores de extracción de aire mientras cocina o se baña, e intente no utilizar aparatos que generen calor durante el momento más caluroso del día. Es posible que se requiera un aire acondicionado de mayor capacidad, según el tamaño de la habitación que se va a enfriar.
El ciclo del aire acondicionado inicia y finaliza con demasiada frecuencia o no enfría la habitación en modo de enfriamiento.	El aire acondicionado RV no es del tamaño adecuado para la habitación.	Compruebe las capacidades de enfriamiento del aire acondicionado de uso doméstico. Los aires acondicionados de uso doméstico no están diseñados para enfriar varias habitaciones.
	El filtro está sucio u obstruido por residuos.	Limpie o reemplace el filtro.
	Hay demasiado calor o humedad (se cocina con recipientes destapados, hay regaderas, etc.) en la habitación.	Utilice un ventilador para extraer el calor o la humedad de la habitación. Intente no utilizar aparatos que generen calor durante el momento más caluroso del día.
	Las rejillas están obstruidas.	Instale el aire acondicionado en un lugar en el que las rejillas estén libres de cortinas, persianas, muebles, etc.
	La temperatura exterior es menor a 60°F (15°C).	No intente poner en funcionamiento el aire acondicionado en el modo de enfriamiento cuando la temperatura exterior sea menor a los 65°C (18°C).
	La temperatura de la habitación que intenta enfriar es extremadamente elevada.	Concédale más tiempo al aire acondicionado para que enfríe una habitación muy caliente.
	Las ventanas o puertas que dan al exterior están abiertas.	Cierre todas las ventanas y puertas.
Escurre agua del gabinete en la casa.	Es posible que la bobina interior esté congelada.	Deje que se descongele haciendo funcionar el ventilador sólo hasta que esté despejada.
	Es posible que la junta de montaje del acondicionador de aire no esté sellada contra el techo.	Controle los tornillos de montaje y ajuste hasta 35 ± 5 pulg./libra, de ser necesario.
El acondicionador de aire quema los fusibles o hace que se desconecte el disyuntor	La bobina del condensador o el ventilador del condensador está bloqueado u obstruido	Retire cualquier material o polvo que generen obstrucción en la bobina del condensador o el ventilador del condensador

# Diagramas Esquemáticos



# Garantía Limitada del Acondicionador de Aire GE Appliances

**GARANTÍA LIMITADA**

Todo el servicio de garantía deberá ser provisto por nuestros Centros de Servicio de Fabricación, o por un técnico autorizado del Servicio al Cliente (Customer Care®). Para programar una visita del servicio técnico a través de Internet, visítenos en [GEAppliances.com/service](http://GEAppliances.com/service), o llámenos al 800. GE.CARES (800.432.2737). Cuando llame para solicitar el servicio, tenga los números de serie y modelo disponibles.

<b>Por el período de:</b>	<b>GE Appliances Reemplazará:</b>
<b>Dos Años</b> A partir de la fecha de la compra original	Cualquier parte del acondicionador de aire que falle debido a defectos en los materiales o en la fabricación. Durante esta <b>garantía limitada de dos años</b> , GE Appliances también proporcionará, sin costo alguno, toda la mano de obra y el servicio relacionado—para reemplazar partes defectuosas.

## Qué No Cubrirá GE Appliances:

- **Instalación, entrega o mantenimiento inadecuados.** Si tiene un problema de instalación o el acondicionador de aire no posee la capacidad de refrigeración adecuada con relación al uso deseado, contacte a su vendedor minorista o instalador. Usted es responsable de brindar instalaciones de conexión eléctrica adecuadas.
- **Falla del producto como resultado de modificaciones sobre el mismo o debido a un uso irrazonable,** incluyendo la falta de mantenimiento razonable o necesario.
- **El trabajo necesario para trasladar la unidad a una ubicación donde esté accesible para que un técnico del servicio o uno individual pueda brindarle el servicio.**
- **Reemplazo de fusibles de la casa o reinicio de disyuntores.**
- **Daños ocasionados sobre el producto por un nivel de suministro de voltaje inadecuado, accidentes, incendios, inundaciones o catástrofes naturales.**
- **Daños consecuentes o incidentales causados por posibles defectos del acondicionador de aire.**
- **Daño causado después de la entrega.**

**EXCLUSIÓN DE GARANTÍAS IMPLÍCITAS—Su único y exclusivo derecho es la reparación del producto, tal y como se indica en esta Garantía limitada. Cualquier garantía implícita, incluyendo las garantías implícitas de comerciabilidad o adecuación para un fin determinado, están limitadas a dos años o el período de tiempo más breve permitido por la ley.**

Esta garantía limitada se extiende al comprador original y cualquier comprador posterior de productos comprados para uso residencial dentro de Estados Unidos. Si el producto está situado en un área que no dispone de servicio por parte de un proveedor de servicio autorizado de GE Appliances, podría tener que hacerse cargo de los costes de envío o bien podría solicitársele que lleve el producto a una centro de servicio de GE appliances autorizado para realizar la reparación. En Alaska, la garantía limitada excluye el costo de envío o las visitas de servicio a su casa.

Algunos estados no permiten la exclusión o las limitaciones de daños incidentales o consecuenciales. Esta garantía limitada da derechos legales específicos, y usted podría tener otros derechos que variarán de estado a estado. Para saber cuáles son sus derechos legales, consulte a la oficina de asuntos del consumidor local o la oficina del Attorney General en su localidad.

**Garante: GE Appliances, a Haier company  
Louisville, KY 40225**

Grape aquí su recibo. Se requiere facilitar prueba de la fecha de compra original para obtener un servicio bajo la garantía.

# Soporte para el Consumidor

---

## Sitio Web de GE Appliances

¿Desea realizar una consulta o necesita ayuda con su electrodoméstico? ¡Intente a través del Sitio Web de GE Appliances las 24 horas del día, cualquier día del año! Usted también puede comprar más electrodomésticos maravillosos de GE Appliances y aprovechar todos nuestros servicios de soporte a través de Internet, diseñados para su conveniencia.

En EE.UU.: [GEAppliances.com](http://GEAppliances.com)

---

## Registre su Electrodoméstico

¡Registre su electrodoméstico nuevo a través de Internet, según su conveniencia! Un registro puntual de su producto permitirá una mejor comunicación y un servicio más puntual de acuerdo con los términos de su garantía, en caso de surgir la necesidad. También puede enviar una carta en la tarjeta de inscripción preimpresa que se incluye con el material embalado.

En EE.UU.: [GEAppliances.com/register](http://GEAppliances.com/register)

---

## Servicio Programado

El servicio de reparación de expertos de GE Appliances está a sólo un paso de su puerta. Conéctese a través de Internet y programe su servicio a su conveniencia cualquier día del año. En EE.UU.: [GEAppliances.com/service](http://GEAppliances.com/service) o comuníquese al 800.432.2737 durante el horario de atención comercial.

---

## Garantías Extendidas

Adquiera una garantía extendida de GE Appliances y conozca los descuentos especiales que están disponibles mientras su garantía aún está vigente. La puede adquirir en cualquier momento a través de Internet. Los servicios de GE Appliances aún estarán allí cuando su garantía caduque.

En EE.UU.: [GEAppliances.com/extended-warranty](http://GEAppliances.com/extended-warranty) o comuníquese al 800.626.2224 durante el horario de atención comercial.

---

## Conectividad Remota

Para solicitar asistencia para la conectividad de red inalámbrica (para modelos con acceso remoto), visite nuestro sitio web en [GEAppliances.com/connected-home-smart-appliances](http://GEAppliances.com/connected-home-smart-appliances) o comuníquese al 800.220.6899 en EE.UU.

---

## Piezas y Accesorios

Aquellos individuos calificados para realizar el servicio técnico de sus propios electrodomésticos podrán solicitar el envío de piezas o accesorios directamente a sus hogares (se aceptan las tarjetas VISA, MasterCard y Discover). Ordene hoy a través de Internet durante las 24 horas, todos los días. En EE.UU.: [GEApplianceparts.com](http://GEApplianceparts.com) o de forma telefónica al 877.959.8688 durante el horario de atención comercial.

**Las instrucciones que figuran en este manual cubren los procedimientos que serán realizados por cualquier usuario. Otros servicios técnicos generalmente deben ser derivados a personal calificado del servicio. Se deberá tener cuidado, ya que una reparación indebida podrá hacer que el funcionamiento no sea seguro.**

---

## Contáctenos

Si no se encuentra satisfecho con el servicio que recibió de GE Appliances, comuníquese con nosotros a través de nuestro sitio Web con todos los detalles, incluyendo su número telefónico, o escriba a:

En EE.UU.: General Manager, Customer Relations | GE Appliances, Appliance Park | Louisville, KY 40225  
[GEAppliances.com/contact](http://GEAppliances.com/contact)